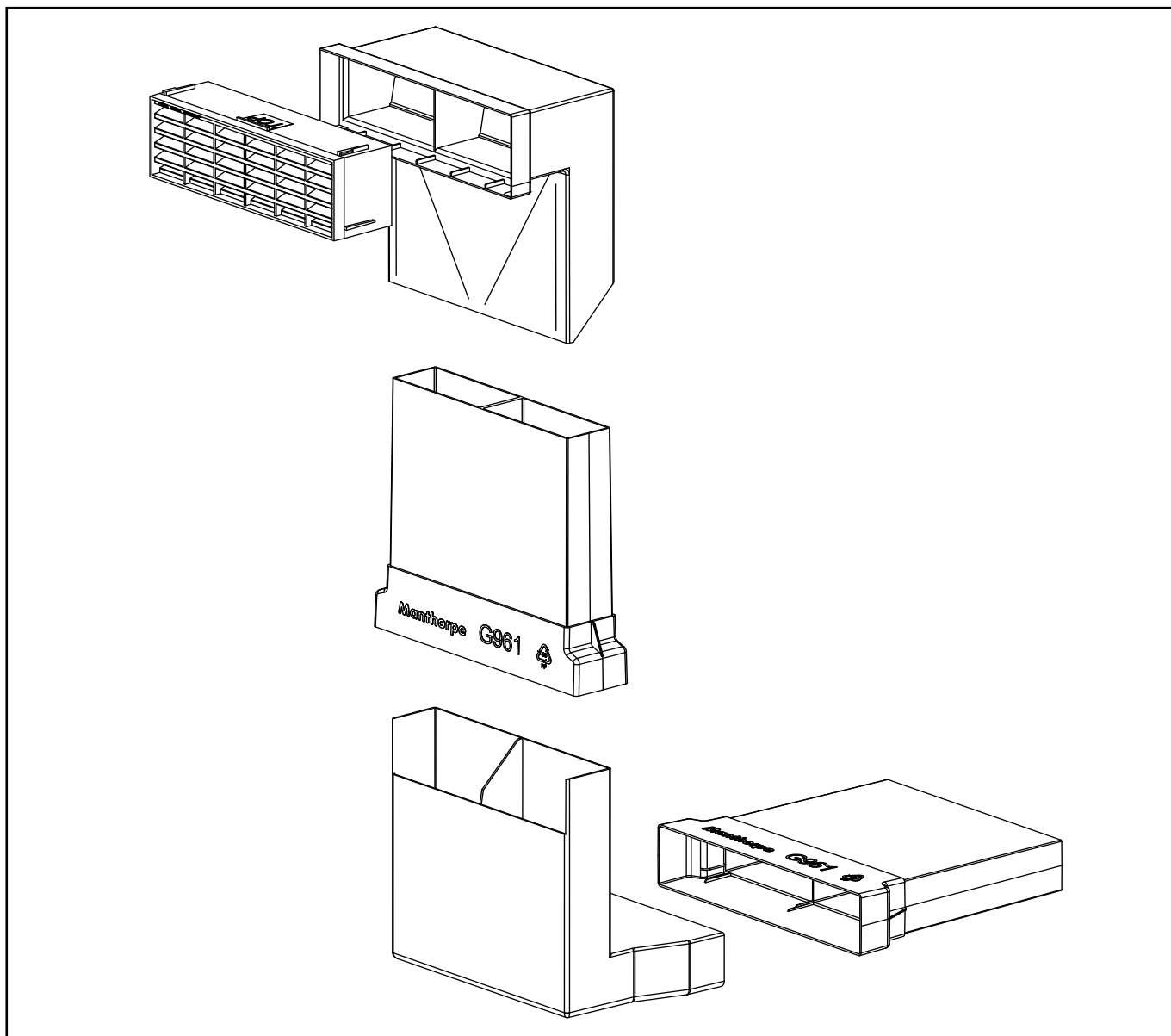


Telescopic Underfloor Void Ventilator - Extension Sleeve

Code: **G961**



Placement Options

The G961 Extension Sleeve can be used to increase the vertical or horizontal span of a telescopic underfloor ventilator.

The exploded drawing above shows placement and orientation of the G961 when extending the G960 telescopic underfloor vent in both the vertical and horizontal directions. The G930 Airbrick is shown as part of the wider possible assembly.

The G961 can also be used in conjunction with the G965 Dual Extended Underfloor Ventilator if required.

Please note these are not structural load bearing products. Drawings are illustrative only.

MANTHORPE BUILDING PRODUCTS LTD
 MANTHORPE HOUSE
 BRITAIN DRIVE
 CODNOR GATE BUSINESS PARK
 RIPLEY
 DERBYSHIRE DE5 3ND

TEL: 01773 303 000
 FAX: 01773 303 300
 EMAIL:
 mbp.care@manthorpebp.co.uk
 WEB:
 www.manthorpebp.co.uk

DRN
 M.O. 01/08/03

ISSUE DRN
 D.W. 21/04/22

The company maintains a policy of continuous development of its product range and reserves the right to amend the specification without notice.

DRG No

MBP 8059

Issue

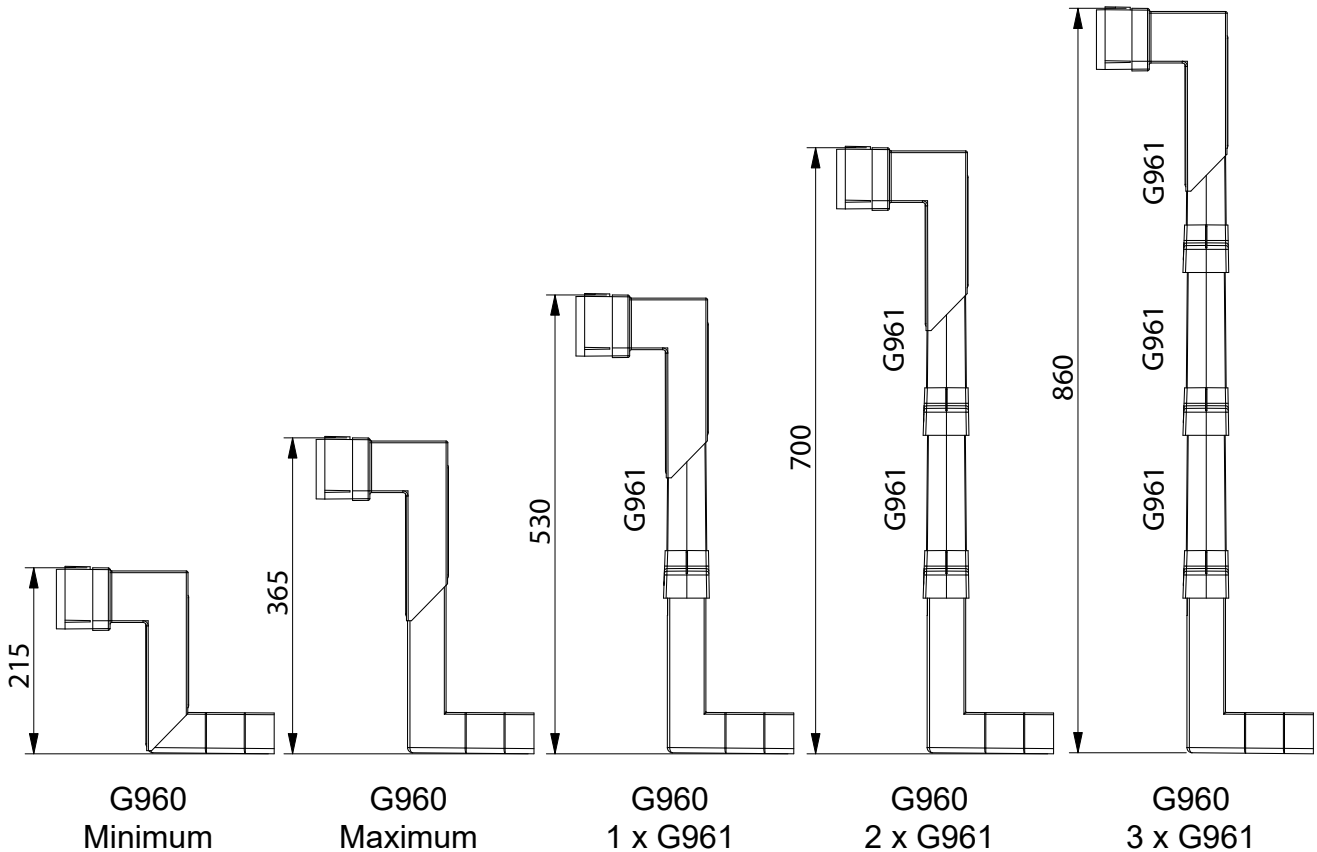
3
 1 of 2

Telescopic Underfloor Void Ventilator - Extension Sleeve

Code: **G961**

Course Heights

G960 Telescopic Underfloor Void Ventilator with G930 airbrick using G961 extension sleeve to extend the product vertically.



Fitting Instructions

The G961 Extension Sleeve is designed for use with the G960 or G965 Telescopic Underfloor Void Ventilator. Push the required number of extensions together and onto the ventilator in either the horizontal or vertical direction. Multiple extension sleeves can be used.

Please note these are not structural load bearing products.
Drawings are illustrative only.

MANTHORPE BUILDING PRODUCTS LTD
MANTHORPE HOUSE
BRITAIN DRIVE
CODNOR GATE BUSINESS PARK
RIPLEY
DERBYSHIRE DE5 3ND

TEL: 01773 303 000
FAX: 01773 303 300
EMAIL:
mbp.care@manthorpebp.co.uk
WEB:
www.manthorpebp.co.uk

DRN
M.O. 01/08/03

ISSUE DRN
D.W. 21/04/22

The company maintains a policy of continuous development of its product range and reserves the right to amend the specification without notice.

DRG No

MBP 8059

Issue

3
2 of 2