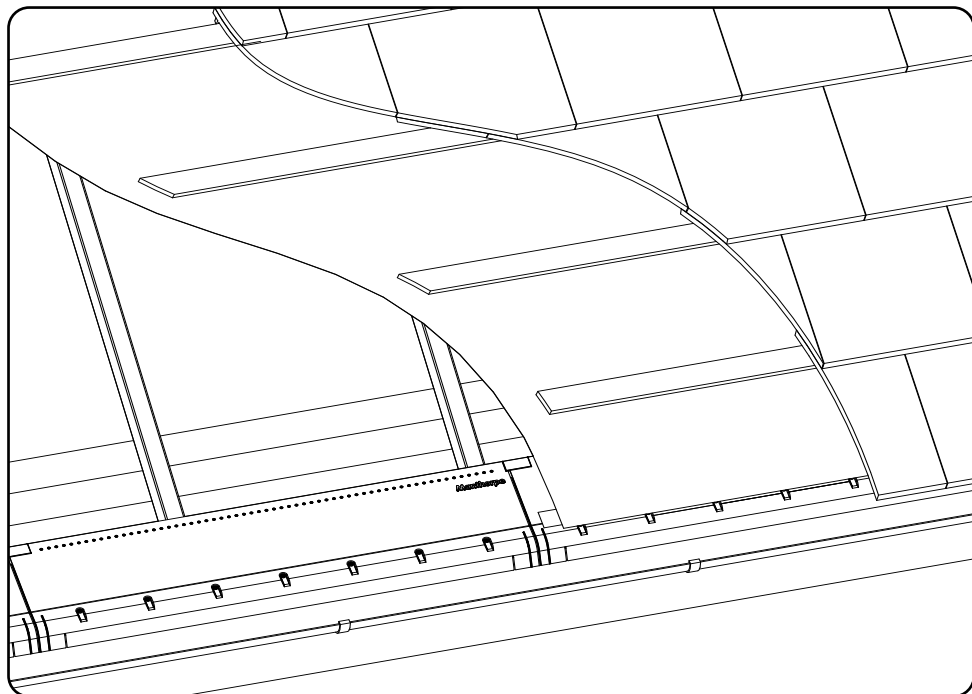


Manthorpe

2 in 1 Ventilator (G1295) & 3 in 1 Ventilator (G1296)

Eaves Ventilation

Fitting Instructions



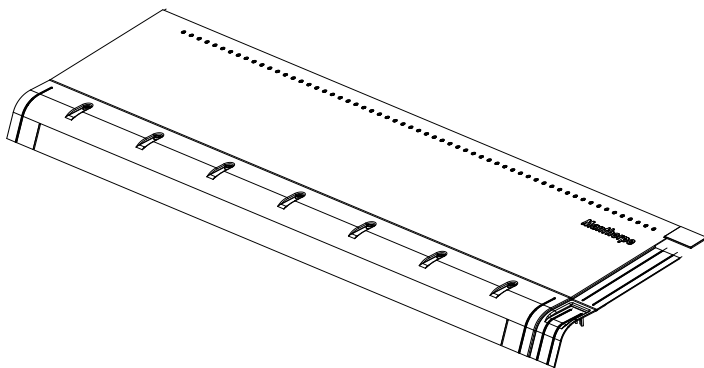
Preparation

The tray is designed to support the eaves section of the roofing underlay from sagging excessively and pooling water, leading to the potential ingress of water into the roof space and building fabric. Through the underside of the tray the product allows 10,000mm²/M of ventilation into the roofspace to reduce condensation risks in accordance with BS5250. This ventilation incorporates a 4mm grille to stop insect and animals passing into the roofspace.

The optional eaves comb on the top of the tray is used with profiled tiles to prevent insects and animals entering the batten void between the tiles and the roofing underlay.

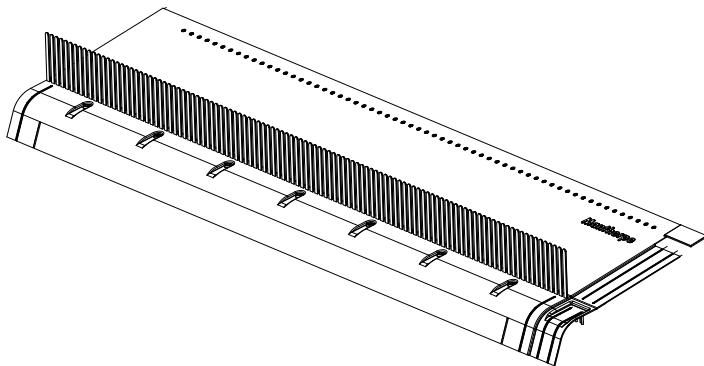
2 in 1

- Over Fascia Vent
- Underlay Support Tray



3 in 1

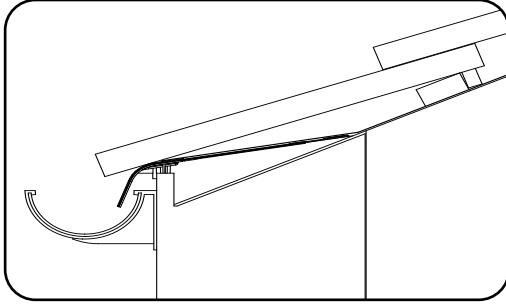
- Over Fascia Vent
- Underlay Support Tray
- Eaves Comb



Pitch: The tray minimum operating pitch is 15°.
Please check tile manufacturer's minimum pitch allowance.

- Provides 10,000mm²/M ventilation
- For use with a fascia eaves detail
- Used in new build and refurbishment projects
- Over fascia ventilator and the eaves comb provide a 4mm insect and animal prevention
- Location fixing points for securing at fascia and rafter level
- Prevents pooling of water at the base of the roofing underlay

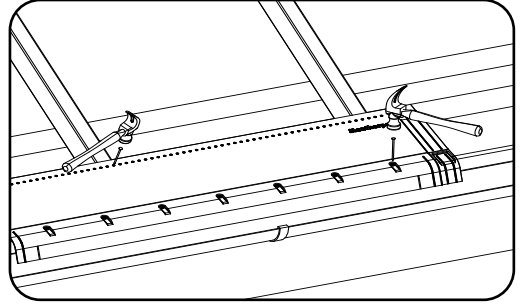
Installation



1. Position the fascia board at the correct height, making allowance for the height of the product (approximately 12mm depending on the roof pitch).

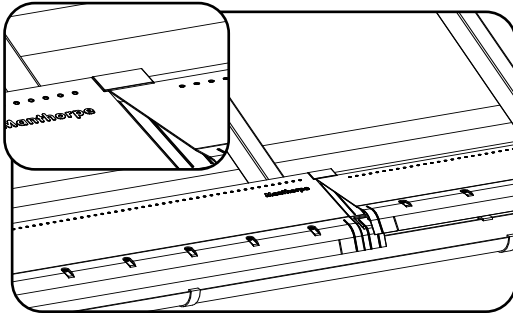
The ventilator (G1295 - 2 in 1 or G1296 - 3 in 1) is placed on top of the fascia board.

- Push the tray tight up against the fascia board until it reaches the stopper pin on the underside.
- Place the tray in the furthest left position on the fascia board. Work from left to right.



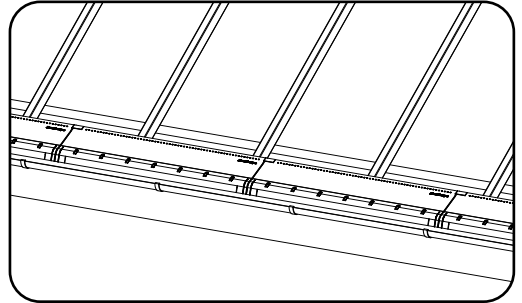
2. Fasten the tray in a minimum of 2 positions, using screws or nails through the location rings on the top surface and into the fascia board.

Additional fixings can be placed through the top of the tray and into the rafters using the indents shown at the top of the tray. Recommended for roofs over 35°. Please note gutter may or may not be in position depending on refurbishment or new build schedule.



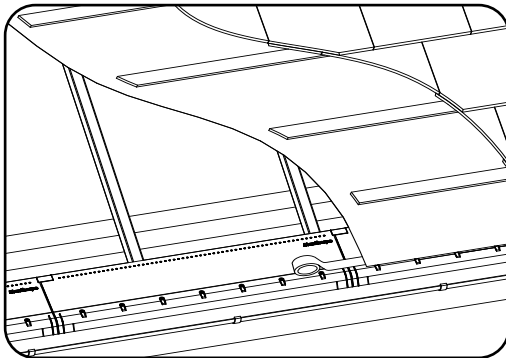
3. Take the next tray. Slide the top left corner into the gap on the top right corner of the fixed tray. Push this down onto the top of the fascia board and tight up to the existing fixed tray.

Fasten this tray into position as before.



4. Work along the fascia board to the end of the fascia board.

Cut the final tray to size using a fine tooth hand saw, and fix securely in place as before.

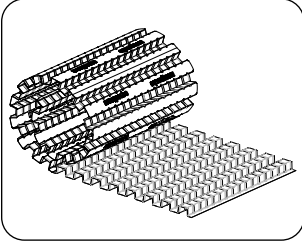


5. Position the roofing underlay in line with the fascia board, then battens and tiles or slates in accordance to the manufacturer's instructions. The roof covering can be laid directly on top of the tray.

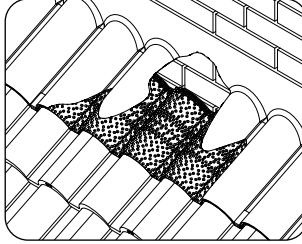
Note¹: With left hand abutments, start on the right and work left.

Note²: The roofing underlay should be taped to the top of the ventilator using a suitable double sided tape, to secure and prevent wind noise.

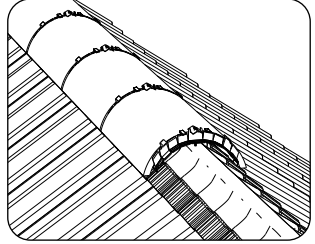
Other products from the roof vent range:



**Continuous Roll Panel
Eaves Ventilator**
(G500/G502/G503/G504)

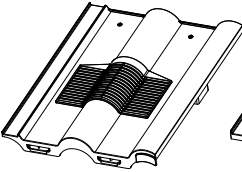


**Abutment Flash
Ventilator**
(G1105)

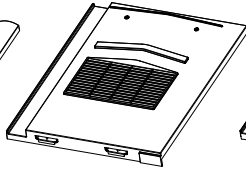


**Roll-Out Dry Ridge
(GDRR)**

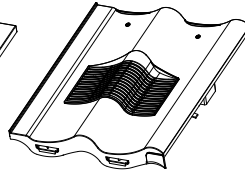
Tile and Slate Vents available:



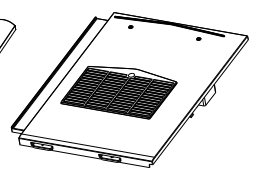
Double Roman
Code: GTV-DR



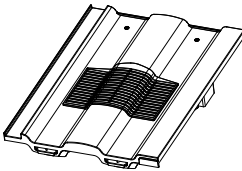
Non-Profile
Code: GTV-NP



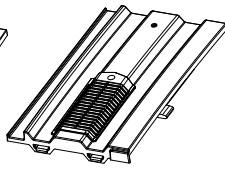
Double Pantile
Code: GTV-DP



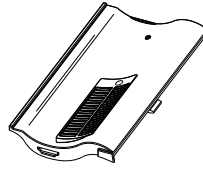
Thin Leading Edge
Code: GTV-TE



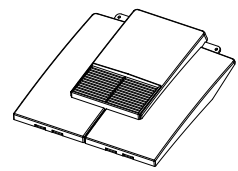
Castellated
Code: GTV-CS



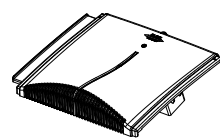
Mini Castellated
Code: GTV-MC



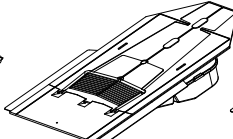
Single Pantile
Code: GTV-SP



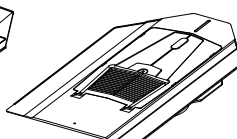
Plain Tile
Code: GTV-PT



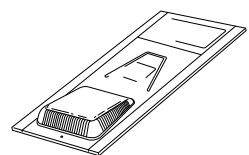
**Interlocking
Plain Tile**
Code: GTV-IP



Slate Vent (In-Line)
Code: GILSV30-25



Slate Vent (In-Line)
Code: GILSV25-20



Slate Vent (Hooded)
Code: GRSV30-25
or GRSV45

Manthorpe Building Products Limited

Manthorpe House, Brittain Drive, Codnor Gate Business Park, Ripley, Derbyshire DE5 3ND

T: (01773) 303 000 F: (01773) 303 300 E: mbp.care@manthorpebp.co.uk

W: <http://www.manthorpebp.co.uk>

