

One Hour Fire Rated Access Panels

Code: **GL150F** Standard

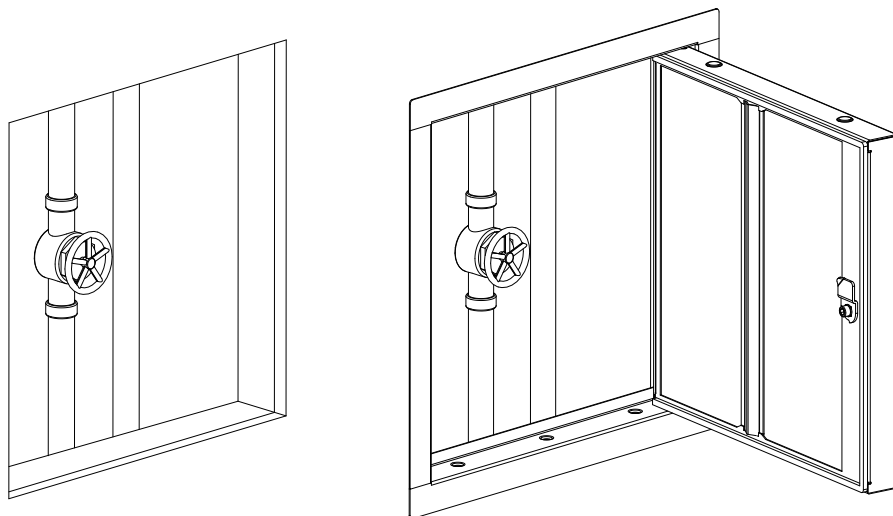
**GL130F** Standard

**GL450F** Standard

**GL151F** Lockable

**GL131F** Lockable

**GL451F** Lockable



### Fitting Instructions

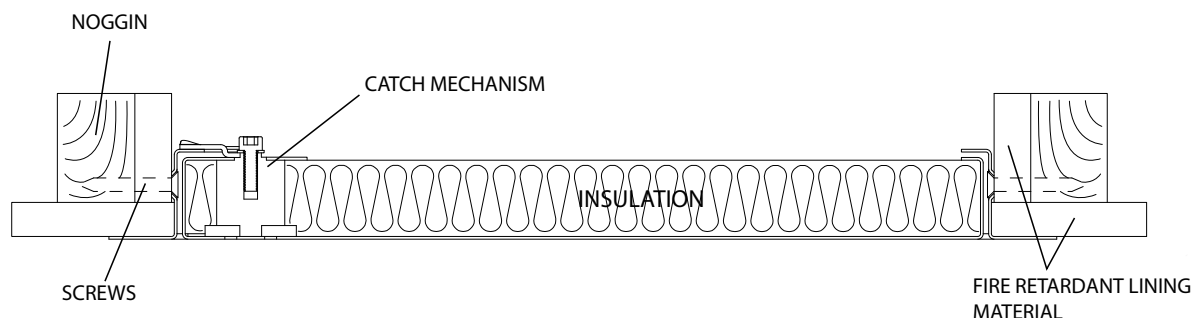
**Preparation:** Prepare a suitable sized hole including vertical and two horizontal noggins surrounding the service which you wish to access in the cavity behind the fire rated wall construction. It may be necessary to line the inside faces of the framework where the access panel will fasten with a skin of a suitable fire retardant material such as plasterboard or calcium silicate fireboard.

**Fitting:** With the access panel in its open position, offer the panel frame into the hole. Using 50mm long self tapping screws, secure the panel frame into the lined framework in the wall ensuring that a screw is placed in each hole around the access panel frame.

**N.B. Fire rated panels must be secured on all 4 sides and a protective layer of fire resistant board fitted around the perimeter of the frame.**

**Operation:** Use the supplied square drive 'T' key to lock and unlock the door when installed. In the case of the GL151F, GL131F and GL451F lockable loft doors, a set of keys are supplied.

### Cross section diagram



MANTHORPE BUILDING PRODUCTS LTD  
MANTHORPE HOUSE  
BRITAIN DRIVE  
CODNOR GATE BUSINESS PARK  
RIPLEY  
DERBYSHIRE DE5 3ND

TEL: 01773 303 000  
FAX: 01773 303 300  
EMAIL:  
mbp.care@manthorpebp.co.uk  
WEB:  
www.manthorpebp.co.uk

DRN M.R.

Date 01/03/07

DRG No

Issue

The company maintains a policy of continuous development of its product range and reserves the right to amend the specification without notice.

**MBP 8224**

**05**

23/11/21