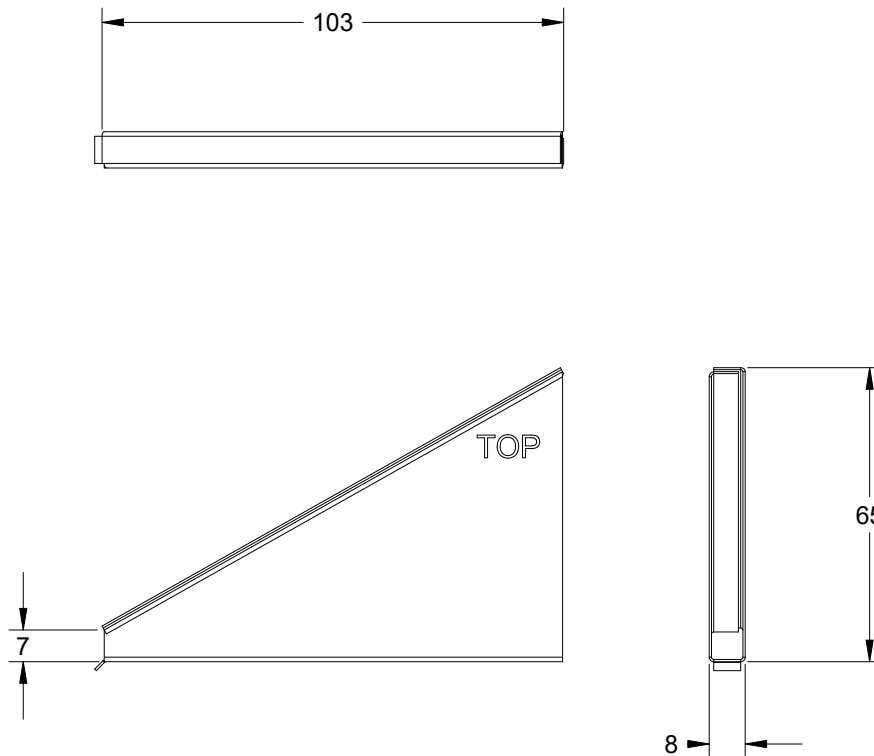


Non-Combustible Weep Hole

Code: **G1350**



Description

Non-combustible Stainless Steel weep hole can contribute towards achieving Document B compliance.

Classified A1 Fire Rated

Manufactured entirely from non-combustible stainless steel, providing no contribution to fire or significant release of smoke, droplets or other particles.

304 Grade Stainless Steel is considered A1 rated without the need for testing in accordance with the guidance of the European Commission Paper 96/603/EC as referenced in BS EN 13501-1:2018.

Manufactured using high quality 0.5mm thick Grade 304 stainless steel, assuring longevity in service.

Stainless Steel weeps can be used directly on top of Stainless Steel trays to avoid bi-metallic / electrolytic corrosion between dissimilar materials and provide optimum drainage to the system.

Colours	Stainless Steel
Packing Details	50 per box
Part Weight	40g each
Box Weight	2kg per box
Material	304 Stainless Steel
Manufacturing Process	Fabricated

Fitting Instructions

Install into a perp joint and mortared into position, ensuring the inside of the product is clear of mortar and debris.

Recommend placement at 450mm centres.

For further reference of other details please see Approved document C and BS 5250.

MANTHORPE BUILDING PRODUCTS LTD
MANTHORPE HOUSE
BRITTAINE DRIVE
CODNOR GATE BUSINESS PARK
RIPLEY
DERBYSHIRE DE5 3ND

TEL: 01773 303 000
FAX: 01773 303 300
EMAIL:
mbp.care@manthorpebp.co.uk
WEB:
www.manthorpebp.co.uk

DRAWN	ISSUE DRAWN
D.W. 08/02/23	D.W. 16/11/23
The company maintains a policy of continuous development of its product range and reserves the right to amend the specification without notice.	

DRG No	Issue
MBP 8379	01 1 of 1