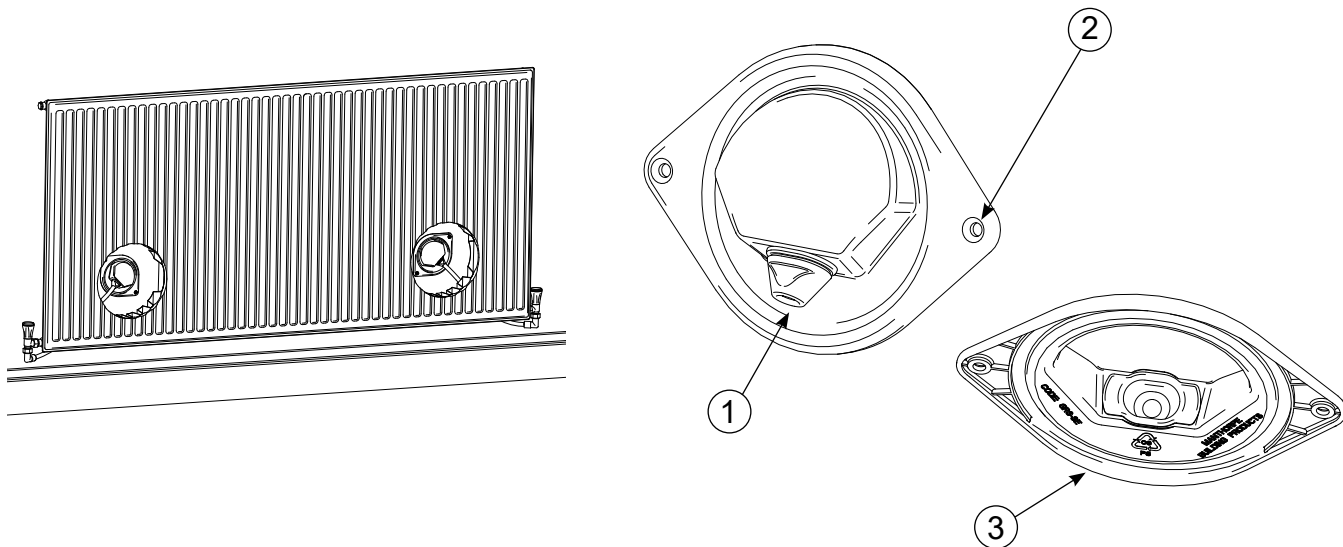


Single Exit Radiator Pipe Guide & Seal

Code: **GRS-SE**



Product Features

1	Flexible Grommet (Seals to stop air leakage)
2	Fixing Points (1 of 2 secure fixing points)
3	Seal bead (Seals to stop air leakage)

References

DOE	Building Regulations Part L Air Leakage
-----	---

Specification

Colours	White
Packing Details	20 per box
Weight	30.4 g per unit
Materials (Main body) (Grommets)	High impact polystyrene Thermoplastic elastomer
Manufacturing process	Injection moulded

Description

The Single Exit Radiator Pipe Guide & Seal is designed particularly for use with larger radiator units where a third radiator bracket is fastened mid way along the radiator, and the distance from the centre of the radiator is sufficient to cause excessive pipe sag, which may leave the pipe visible below the bottom of the radiator. The unit is slim enough to fit behind the radiator and will provide a draught seal to help achieve the new air leakage requirements of the modern building regulations. Due to its face-fix nature, the product is ideal for studded wall details.

Suitable for use with all 10mm plastic pipes.

MANTHORPE BUILDING PRODUCTS LTD
MANTHORPE HOUSE
BRITAIN DRIVE
CODNOR GATE BUSINESS PARK
RIPLEY
DERBYSHIRE DE5 3ND

TEL: 01773 303 000
FAX: 01773 303 300
EMAIL:
mbp.care@manthorpebp.co.uk
WEB:
www.manthorpebp.co.uk

Drawn
MR 04.07.08

Issue
BH 28.10.22

DRG No

MBP 8274

Issue

06

The company maintains a policy of continuous development of its product range and reserves the right to amend the specification without notice.