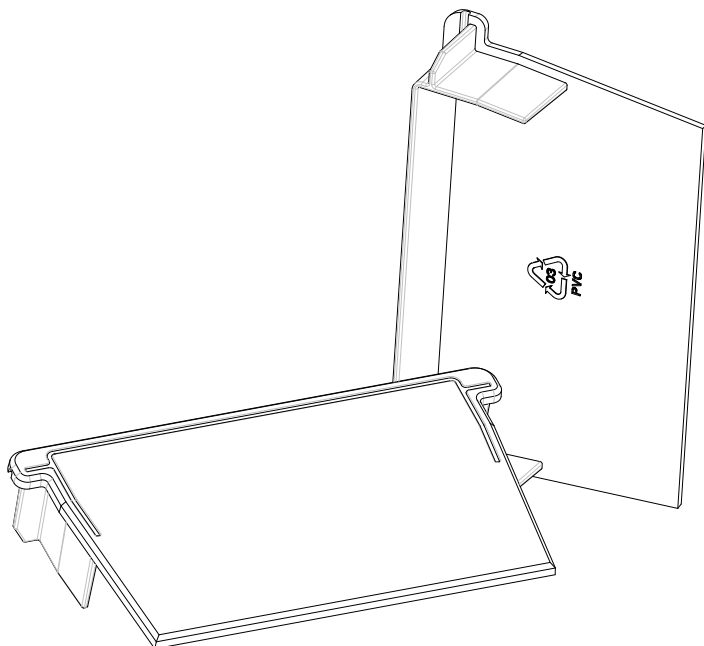


Linear Dry Verge Eaves End Cap

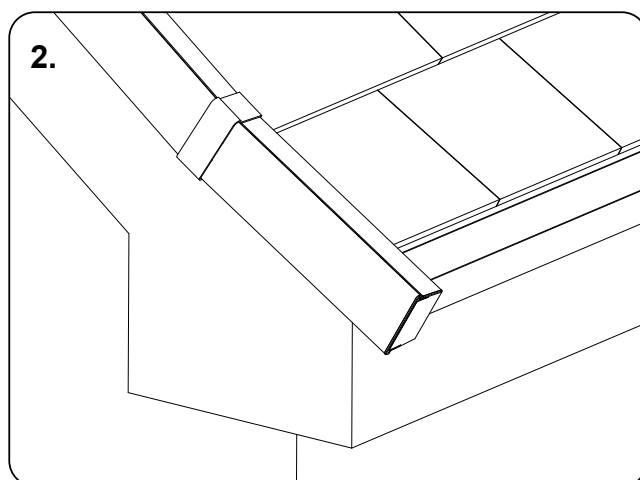
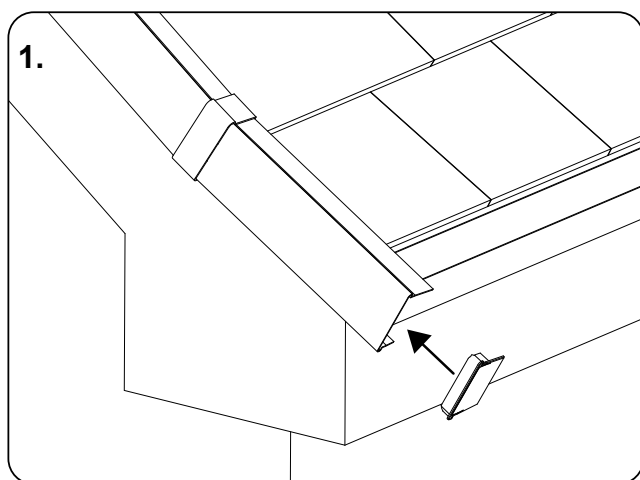
Code: **GLV-EE**



Quantity	20 per box
Colours	Slate Grey (GR) Black (BL) Terracotta (TR) Dark Brown (BR)
Material	UPVC
Weight	0.9 kg (per box)
Manufacturing Process	Injection Moulding

Description

The Linear Dry Verge Eaves End can be used to neatly finish and close the bottom section of Linear Dry Verge down at eaves level. In some instances, it may be necessary to extend the bottom Linear Dry Verge unit past the gutter and fit the Eaves End so that it doesn't foul on the guttering (see illustrations below). The Eaves End is designed to slide into the bottom Dry Verge unit and can be fixed into place with a suitable adhesive. When fixing in the Eaves end take care not to block up the drainage slots located on the side tabs. The Eaves End is available in a variety of colours to match the other components in the Linear Dry Verge system.



MANTHORPE BUILDING PRODUCTS LTD
MANTHORPE HOUSE
BRITAIN DRIVE
CODNOR GATE BUSINESS PARK
RIPLEY
DERBYSHIRE DE5 3ND

TEL: 01773 303 000
FAX: 01773 303 300
EMAIL: mbp.care@manthorpebp.co.uk
WEB: www.manthorpebp.co.uk

DRAWN	ISSUE DRAWN
J.B. 21/11/16	B.H. 19/08/22

The company maintains a policy of continuous development of its product range and reserves the right to amend the specification without notice.

DRG No

MBP 8285

Issue

04