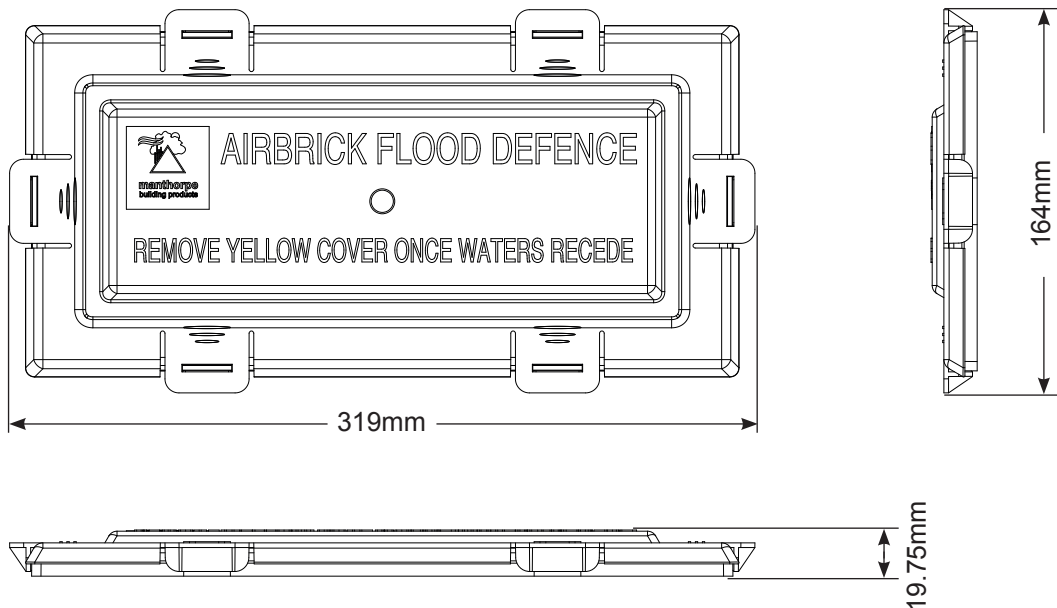


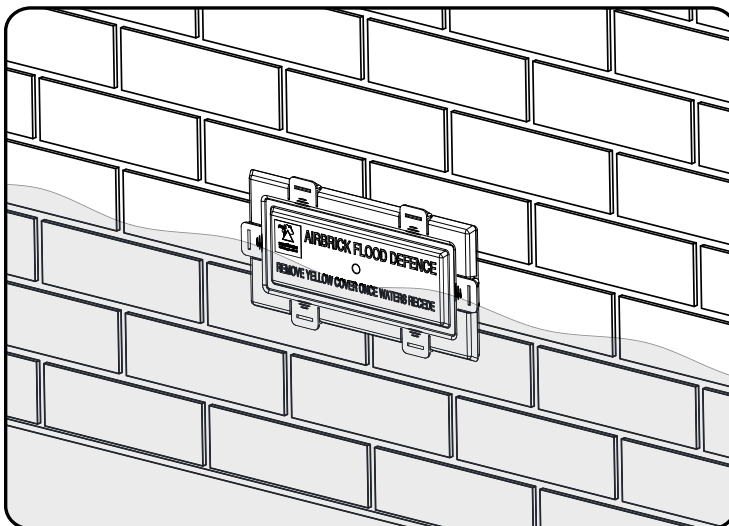
Airbrick Flood Defence

CODE G980



Description

The Manthorpe Airbrick Flood Defence is designed to cover the opening of a 9"x3" plastic or clay airbrick, stopping the ingress of water into the property in the event of a flood. The product comes in two parts; the first being a frame which is screwed and sealed to the brickwork around an airbrick using an exterior mastic frame sealant, the second is a removable cover which can be clipped onto the frame in the event of a flood and removed and easily stored once the threat has passed. The cover is bright yellow to remind users to remove it once the flood waters recede to aid in drying out the property, it clips on and off with simple snap fit clips which can be operated with one hand if need be. An o-ring seal in the cover forms the watertight seal between it and the frame preventing the entry of flood waters through the airbrick.



Specification

Colours - Frame	Brown	Buff
	Terracotta	Grey
	Blue/Black	White
(Cover always supplied in yellow)		
Packing Details	Sealed in a bag with fitting instructions, 10 units in a box	
Weight	0.19kg	
Material	Polypropylene	
Manufacturing Process	Injection moulded	

MANTHORPE BUILDING PRODUCTS LTD
 MANTHORPE HOUSE
 BRITAIN DRIVE
 CODNOR GATE BUSINESS PARK
 RIPLEY
 DERBYSHIRE DE5 3ND

TEL: 01773 303 000
 FAX: 01773 303 300
 EMAIL:
 mbp.care@manthorpebp.co.uk
 WEB
 www.manthorpebp.co.uk

DRN B.H. Date 19.06.19

The company maintains a policy of continuous development of its product range and reserves the right to amend the specification without notice.

DRG No

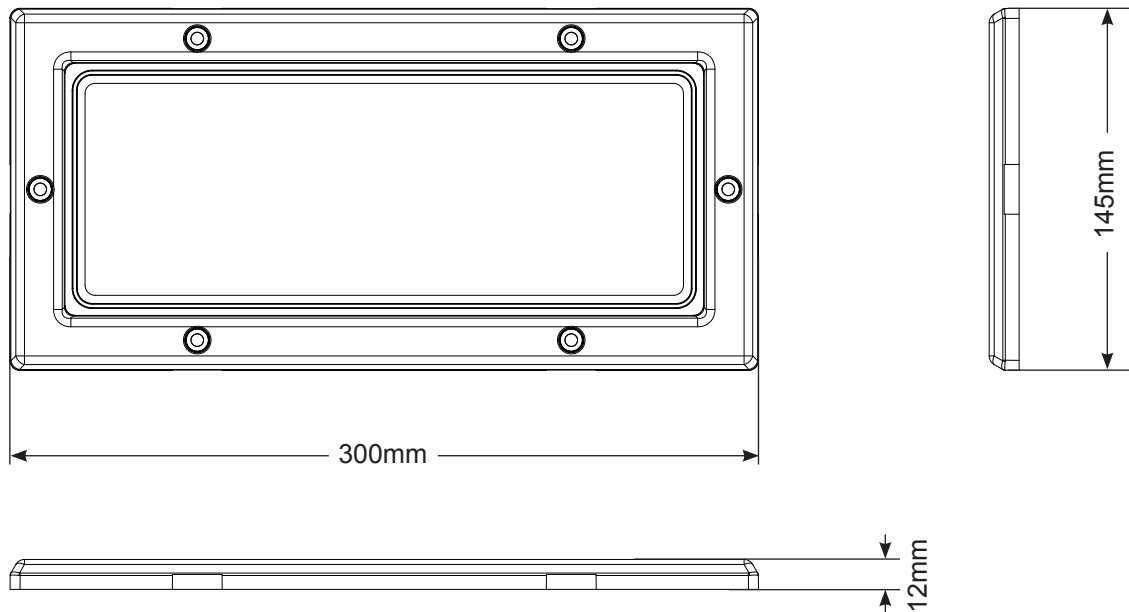
MBP 8278

Issue

B

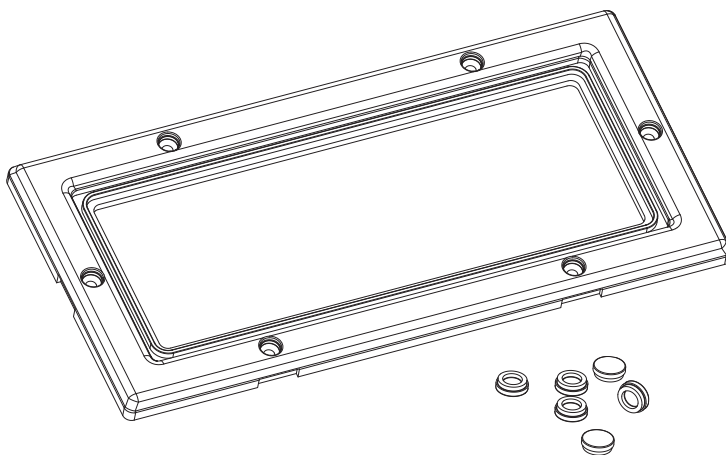
Airbrick Flood Defence Frame

CODE G980



Description

The mounting frame for the Airbrick Flood Defence is designed to be as a permanent installation around a 9"x3" airbrick, to then be used as a means of attaching the removable cover over to block out flood waters. There is a channel on the back of the frame to run a thick bead of exterior frame sealant around to seal the frame to the wall, preventing ingress of water. The frame is secured into the wall by screws into the surrounding brickwork which can then be covered with the caps provided. The frame is available in a variety of colours to match most types of wall covering.



Specification

Colours - Frame	Brown Terracotta Blue/Black	Buff Grey White
Packing Details	Sealed in a bag with fitting instructions, 10 units in a box	
Weight	0.071kg	
Material	Polypropylene	
Manufacturing Process	Injection moulded	

MANTHORPE BUILDING PRODUCTS LTD
MANTHORPE HOUSE
BRITAIN DRIVE
CODNOR GATE BUSINESS PARK
RIPLEY
DERBYSHIRE DE5 3ND

TEL: 01773 303 000
FAX: 01773 303 300
EMAIL:
mbp.care@manthorpebp.co.uk
WEB
www.manthorpebp.co.uk

DRN B.H. Date 19.06.19

The company maintains a policy of continuous development of its product range and reserves the right to amend the specification without notice.

DRG No

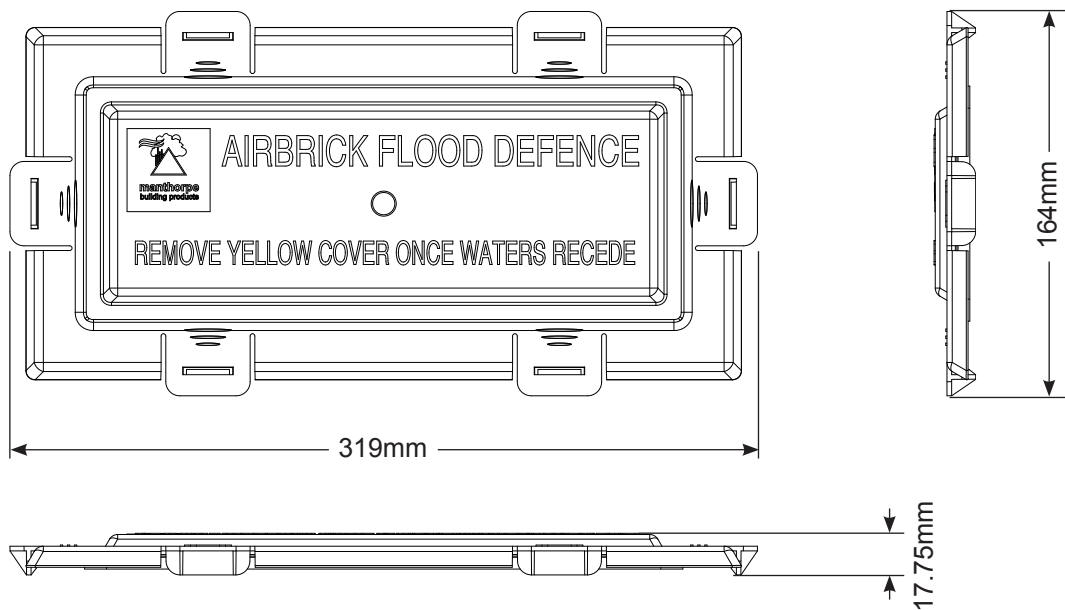
MBP 8279

Issue

B

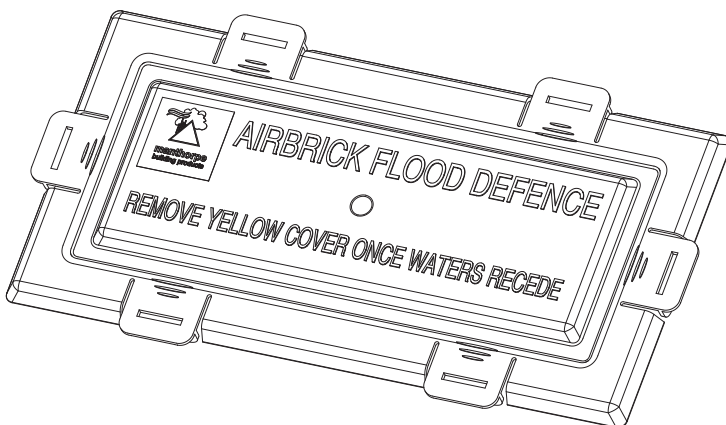
Airbrick Flood Defence Cover

CODE G980



Description

The cover for the Airbrick Flood Defence is designed to be a removable flood barrier for a 9"x3" airbrick. In the event of a flood warning, simply clip the cover onto the wall mounted frame, forming a watertight barrier. There are 6 clips around the cover which lock it to the frame, each of them easily unlockable with one hand. The cover houses a Ø 4mm Neoprene O-Ring seal which presses against the frame when clipped together blocking out the flood waters. The cover is bright yellow to remind the user to remove it once the flood waters have gone to help the property dry out. They are flat and easy to store away when not in use.



Specification	
Colours - Cover	Yellow
Packing Details	Sealed in a bag with fitting instructions, 10 units in a box
Weight	0.109kg
Material	Cover: Polypropylene O-Ring: Neoprene
Manufacturing Process	Injection moulded

MANTHORPE BUILDING PRODUCTS LTD
 MANTHORPE HOUSE
 BRITAIN DRIVE
 CODNOR GATE BUSINESS PARK
 RIPLEY
 DERBYSHIRE DE5 3ND

TEL: 01773 303 000
 FAX: 01773 303 300
 EMAIL: mbp.care@manthorpebp.co.uk
 WEB: www.manthorpebp.co.uk

DRN B.H. Date 19.06.19

The company maintains a policy of continuous development of its product range and reserves the right to amend the specification without notice.

DRG No

MBP 8280

Issue

B