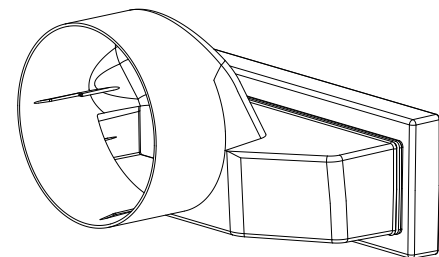
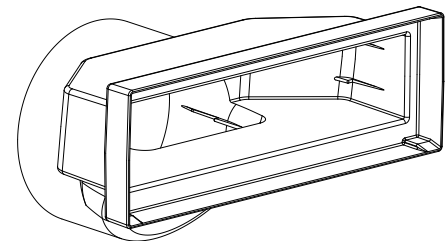
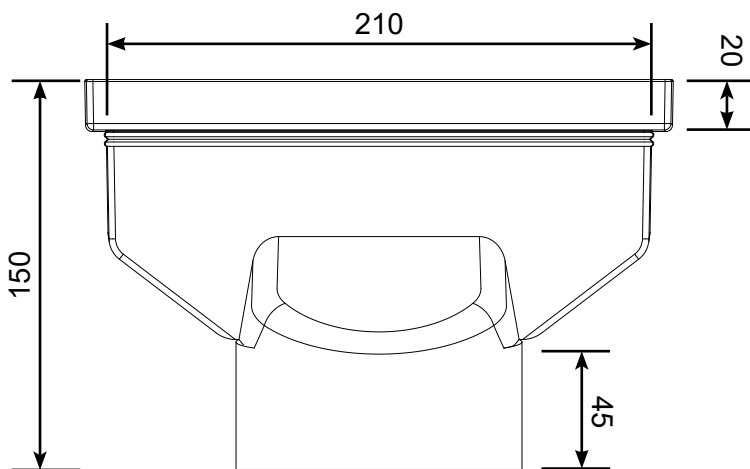
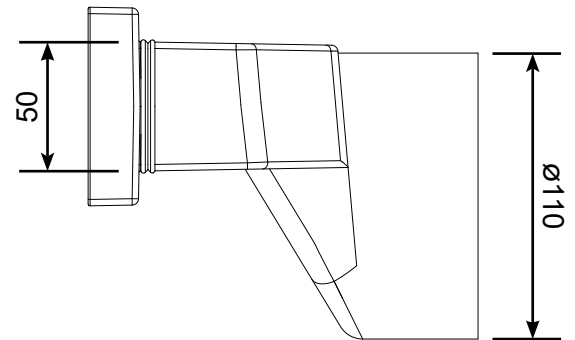
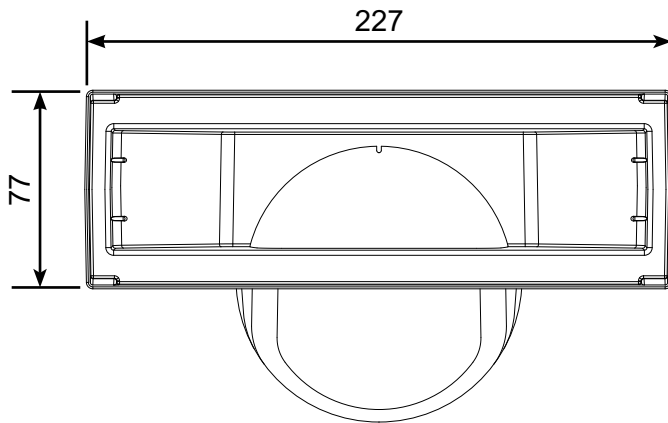


Remote Void Ventilator

Code: **G962**



### Description

The G962 Remote Void Ventilator is a square to round adaptor designed to connect the G960/G965 Underfloor Vents or G930 Airbrick or to a standard 4" round drainage pipe or alternatively to a GRPA/ GRPA1 Flexible Pipe.

Commonly used to duct airflow to obstructed or hard to reach areas of a suspended floor void, such as in external walls with bi-fold doors or floor to ceiling glazing which restricts the placement of underfloor vents. The G962 can also ventilate under a solid floor construction of an extension to reach the underfloor void of the existing property.

The adapter fits directly onto the Airbrick and lower outlet of the Underfloor Vents and can be easily cut down for a more slim line connection if needed.

<b>Colour</b>	Black
<b>Packing Details</b>	10 per box
<b>Part Weight</b>	0.134 kg
<b>Box Weight</b>	1.64 kg
<b>Free Area</b>	6,450 mm <sup>2</sup>
<b>Material</b>	Polypropylene
<b>Manufacturing Process</b>	Injection Moulded

MANTHORPE BUILDING PRODUCTS LTD  
MANTHORPE HOUSE  
BRITAIN DRIVE  
CODNOR GATE BUSINESS PARK  
RIPLEY  
DERBYSHIRE DE5 3ND

TEL: 01773 303 000  
FAX: 01773 303 300  
EMAIL:  
mbp.care@manthorpebp.co.uk  
WEB:  
www.manthorpebp.co.uk

<b>DRAWN</b>	<b>ISSUE DRAWN</b>
B.H. 24/04/23	B.H. 24/04/23

The company maintains a policy of continuous development of its product range and reserves the right to amend the specification without notice.

DRG No

**MBP 8381**

Issue

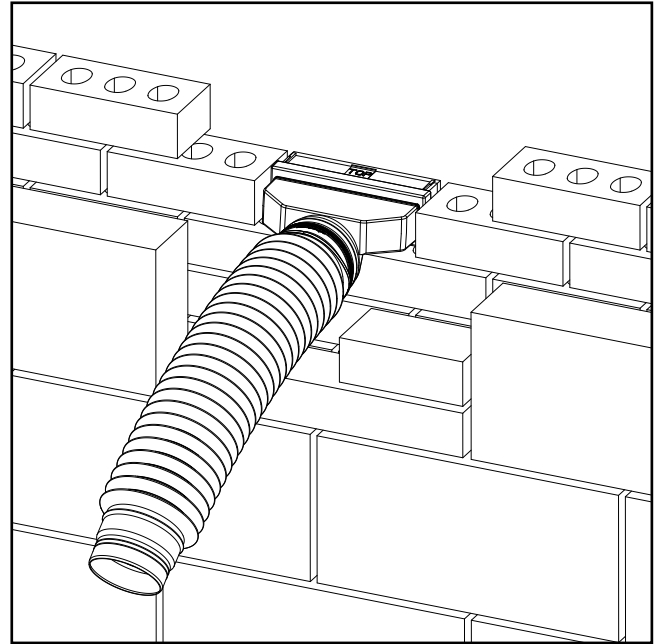
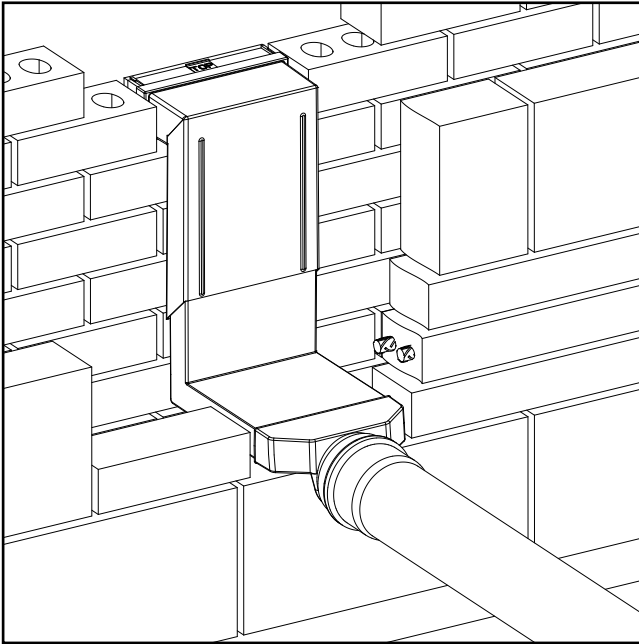
**01**  
1 of 3

Remote Void Ventilator

Code: **G962**

### Fitting Options

The G962 Remote Void Ventilator can be used in a variety of different installation details, such as to extend underfloor ventilation beneath a solid concrete floor (e.g. from the wall of a new extension) or from adjacent elevations within a suspended floor build up to obstructed corners of the void.



### Connection Options

#### Rectangular Connector:

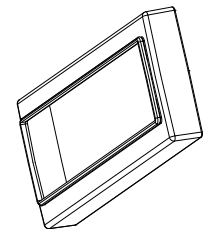
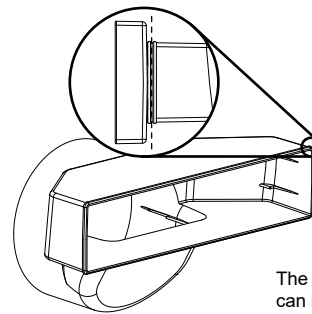
Can be plugged directly onto the lower outlet of a G960/G965 Telescopic Underfloor Vent. The larger step of the adaptor will align this connection centrally about a 75mm coursing step, or it can be trimmed off to fit in tighter penetration apertures such as between the shoulders of a concrete floor beam.

Alternatively, the larger step of the rectangular outlet can accommodate a 9" x 3" Airbrick.

#### Round Connector:

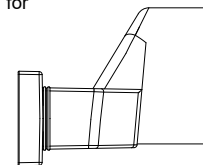
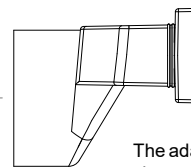
The 110mm (4") diameter circular outlet can connect to underground drainage pipes of the same size using standard couplings.

Alternatively, a GRPA/GRPA1 flexible pipe can be attached to direct the airflow to the required area.



The larger step of the rectangular opening can be trimmed down where required.

The offset round connector will allow for versatility when positioning the adaptor.



The adaptor can be flipped to provide the necessary clearance to adjacent construction elements such as the underside of a concrete floor beam.

#### NOTE:

This is not a structural load bearing product. Drawings are illustrative only.

MANTHORPE BUILDING PRODUCTS LTD  
MANTHORPE HOUSE  
BRITTAIN DRIVE  
CODNOR GATE BUSINESS PARK  
RIPLEY  
DERBYSHIRE DE5 3ND

TEL: 01773 303 000  
FAX: 01773 303 300  
EMAIL:  
mbp.care@manthorpebp.co.uk  
WEB:  
www.manthorpebp.co.uk

DRAWN	ISSUE DRAWN
B.H. 24/04/23	B.H. 24/04/23
The company maintains a policy of continuous development of its product range and reserves the right to amend the specification without notice.	

DRG No

**MBP 8381**

Issue

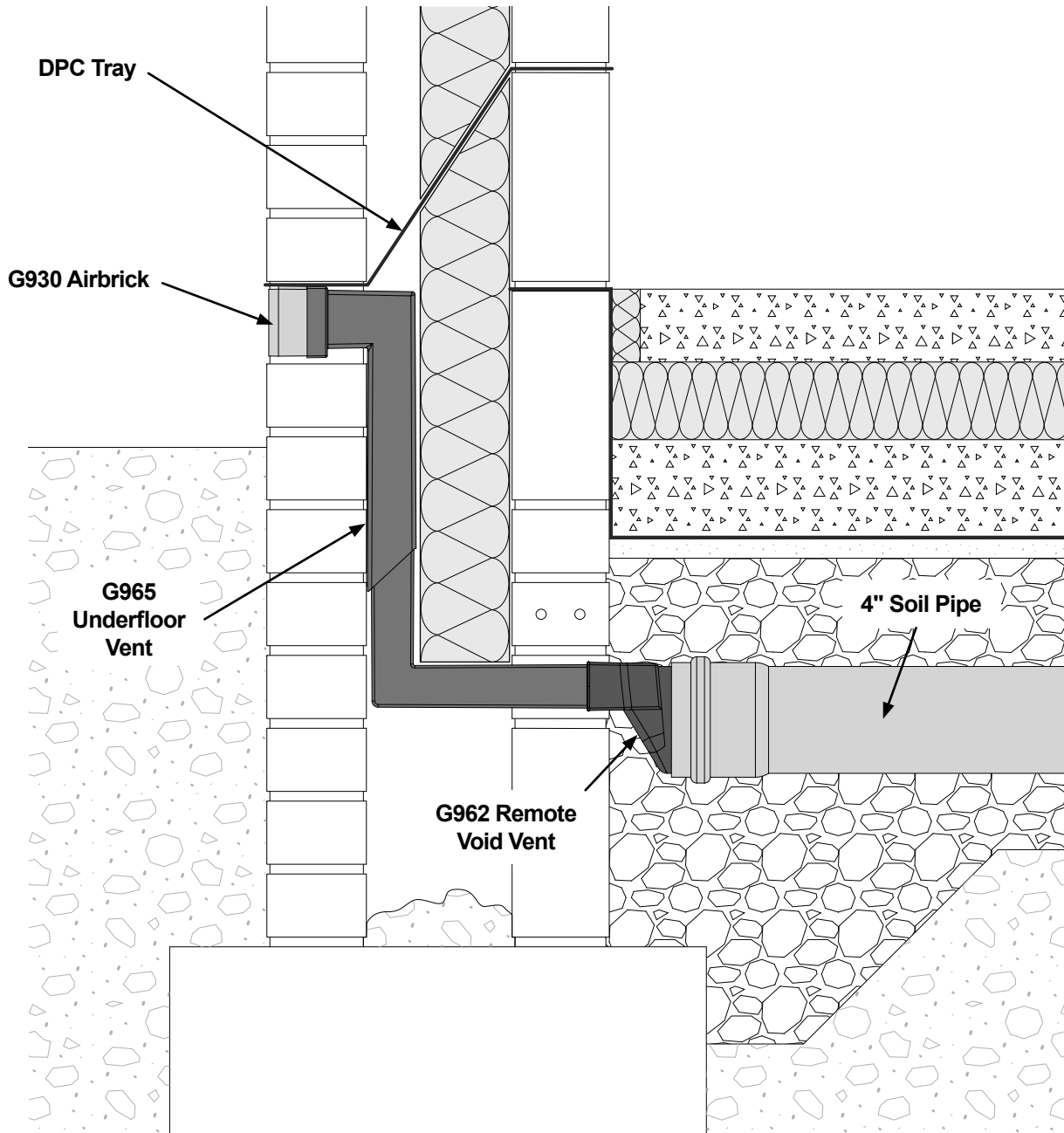
**01**  
2 of 3

Remote Void Ventilator

Code: **G962**

### Example

Below is an illustrative example of the G962 Remote Void Ventilator when used within a solid floor construction of an extension in order to maintain airflow to the suspended floor of the original building. The ventilating pipe can be positioned at the required height to maintain airflow and built into the sub floor construction, the G962 will then convert this to a Telescopic Underfloor Vent at the outer wall of the extension to duct the airflow to atmosphere via an Airbrick location above ground.



**NOTE:**

This is not a structural load bearing product. Drawings are illustrative only.

MANTHORPE BUILDING PRODUCTS LTD  
 MANTHORPE HOUSE  
 BRITAIN DRIVE  
 CODNOR GATE BUSINESS PARK  
 RIPLEY  
 DERBYSHIRE DE5 3ND

TEL: 01773 303 000  
 FAX: 01773 303 300  
 EMAIL:  
 mbp.care@manthorpebp.co.uk  
 WEB:  
 www.manthorpebp.co.uk

DRAWN	ISSUE DRAWN
B.H. 24/04/23	B.H. 24/04/23

The company maintains a policy of continuous development of its product range and reserves the right to amend the specification without notice.

DRG No	Issue
<b>MBP 8381</b>	<b>01</b> 3 of 3