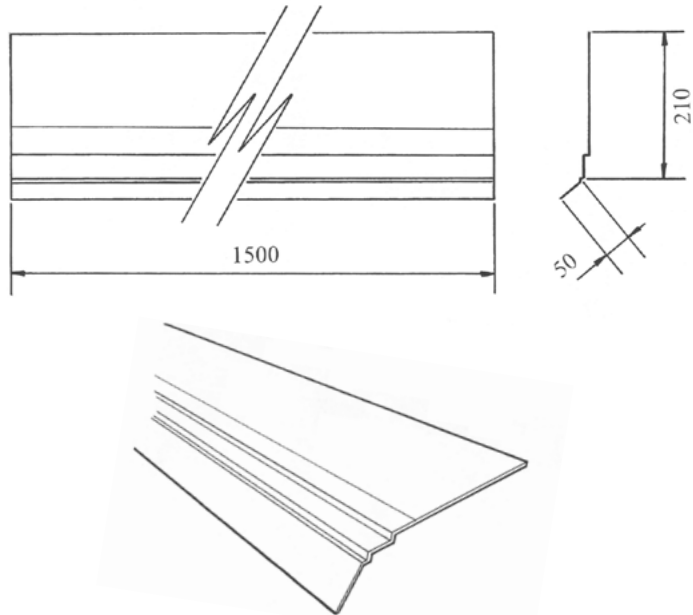
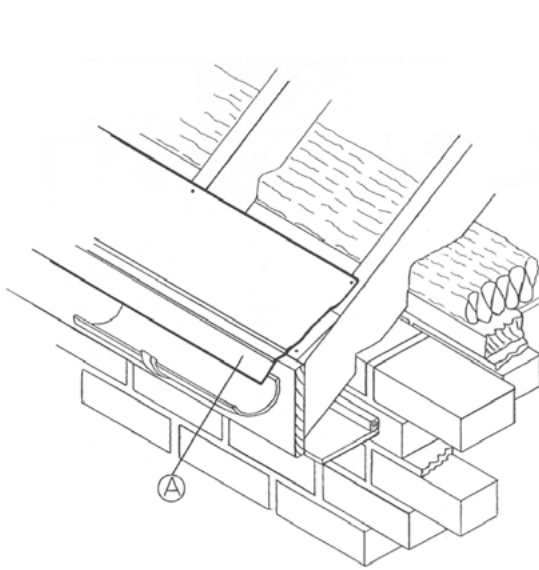


Refurbishment Felt Support Tray

Code: **G1281**



Description

The **G1281** Felt Support Tray is designed to bridge the rafters and provide support for the roofing felt. It eliminates the problem of rotting felt caused by the sagging and retaining of water by the felt at low-level eaves. The 1.5m long trays can be used in both new build and refurbishment situations and suits all rafter centres.

Use the felt support tray in conjunction with other products from the Manthorpe range to provide a complete roof ventilation system.

Fitting Instructions

The G1281 Felt Support Tray (A) should be pushed under existing felt in refurbishment situations.

Alternatively in new build situations felt should be dressed over the tray. The support tray should be positioned on top of the fascia boards and secured to the roof trusses. Joints should be overlapped by minimum of 150mm.

Use in conjunction with other products from the Manthorpe range to provide a complete roof ventilation system.

Features

- Prevents the sagging of eaves underlay
- Eliminates rotting underlay caused by ponding water
- Prevents underlay being subjected to UV degradation
- Fits all conventional rafter centres
- Fixes easily into the top of the roof trusses
- The tray is suitable for refurbishment details

Colour	Black
Packing Details	10 x 1.5m lengths per pack.
Box Weight	7.5kg (approx.)
Part Weight	750g +/- 100g
Material	PVC
Manufacturing Process	Extrusion

References

BSI: BS 5534 Code of Practice for Slating and Tiling
 BSI: BS 5250 Code of Practice for the Control of Condensation
 BRE: DIGEST 262/270
 NHBC: Standards - Chapter 7.2 Pitched Roofs

MANTHORPE BUILDING PRODUCTS LTD
 MANTHORPE HOUSE
 BRITAIN DRIVE
 CODNOR GATE BUSINESS PARK
 RIPLEY
 DERBYSHIRE DE5 3ND

TEL: 01773 303 000
 FAX: 01773 303 300
 EMAIL:
 mbp.care@manthorpebp.co.uk
 WEB:
 www.manthorpebp.co.uk

DRAWN	ISSUE DRAWN
M.A. 01/08/03	DW 30/04/26
The company maintains a policy of continuous development of its product range and reserves the right to amend the specification without notice.	

DRG No	Issue
MBP 8075	04