

REDSHIELD® Rebated Cavity Barrier

CODE RED/XX/XXX-R

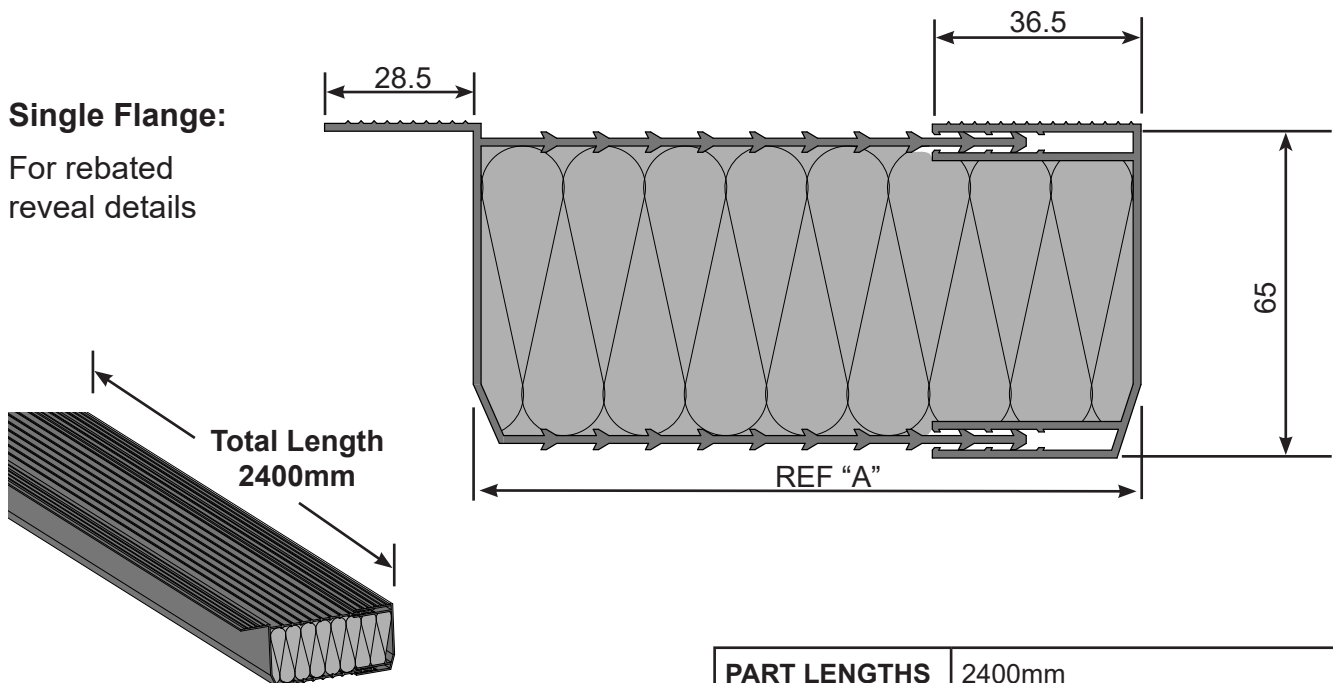
Description

REDSHIELD®-R is a true one-product rebated cavity barrier which fulfils the fire integrity and insulation requirements of the Building Regulations Part B without relying on additional lining materials along with providing the necessary thermal break and DPC properties of a cavity closer.

The unique construction allows the product to be adaptable to suit various cavity sizes, helping to maintain a continuous seal to a range of cavity widths especially those that may 'stray' in size.

The construction incorporates a compressed mineral fibre wool insulating core which provides the 30 minutes' integrity and 15 minutes' insulation of a cavity barrier as well as providing a solution to cold bridging problems acting as a thermal cavity closer and DPC.

Easily incorporated into new build or refurbishment situations, with profiles available for standard and rebated details and no special fixing requirements. Once installed **REDSHIELD®-R** will last the lifetime of the building.



PRODUCT CODE	DIMENSION REFERENCE "A"	TO FIT CAVITY WIDTH OF
RED/50/70-R	50 - 71.4 +/-2mm	50-70mm
RED/70/90-R	70 - 91.4 +/-2mm	70-90mm
RED/90/110-R	90 - 111.4 +/-2mm	90-110mm
RED/110/130-R	110 - 131.4 +/-2mm	110-130mm
RED/130/160-R	130 - 161.4 +/-2mm	130-160mm

PART LENGTHS	2400mm
PACKING DETAILS	3 lengths per pack
MATERIAL	PVCu Outer Casing Mineral Wool Insulation
FIRE RATING	30 mins integrity and 15 mins insulation when tested to BS EN 1366-4:2006+A1:2010
TEST REPORT	Warrington Fire Research No. 428941
COLOUR	Red
K VALUE	0.039 W/mk

MANTHORPE BUILDING PRODUCTS LTD
MANTHORPE HOUSE
BRITAIN DRIVE
CODNOR GATE BUSINESS PARK
RIPLEY
DERBYSHIRE DE5 3ND

TEL: 01773 303 000
FAX: 01773 303 300
EMAIL: mbp.care@manthorpebp.co.uk
WEB: www.manthorpebp.co.uk

DRN K.B. Date: 17/02/20
The company maintains a policy of continuous development of its product range and reserves the right to amend the specification without notice.

DRG No
MBP 8361

Issue

C