

SmartVerge Polypropylene Dry Verge System - Overview

CODE **GPPV**

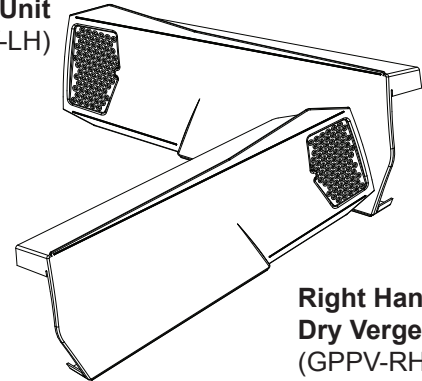
Description

The SmartVerge Polypropylene dry verge system is a fast and effective method for finishing the verge of roof that has been fitted with small or large format, interlocking tiles. The individual verge units cap the end of each course of tiles to provide an unobtrusive, weatherproof cover whilst preserving the 'stepped' appearance of the roof tiles. The system is mechanically fixed and can be installed in all weather conditions without the need for mortar.

The units have been designed to be compatible with both small and large format interlocking concrete tiles available in the UK.

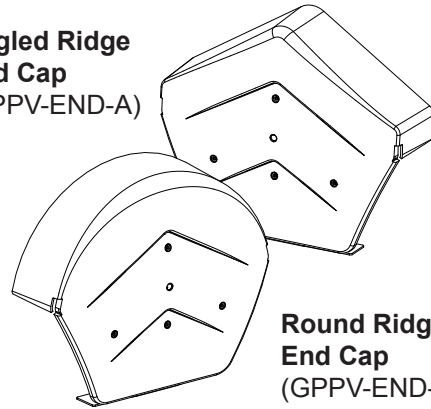
The angled or round Ridge End Caps can be used to protect the end of the ridge while the Eaves Closure fixes at the base of the verge, securing the first unit and preventing access for birds and large insects. The batten end clip allows for a secure nail fixing into the end grain of the tiling battens.

Left Hand Dry Verge Unit (GPPV-LH)

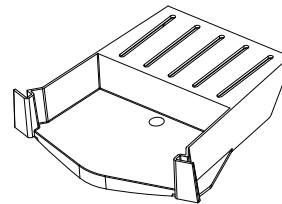


Right Hand Dry Verge Unit (GPPV-RH)

Angled Ridge End Cap (GPPV-END-A)

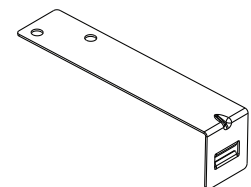


Round Ridge End Cap (GPPV-END-R)



Eaves Closure Unit (GPPV-REC)

Batten End Clip (GDV-BEC)



Features

- Fast and easy to install, dry fix verge system.
- Suits small and large format concrete interlocking tiles.
- Can be fitted with a batten gauge of 255mm to 345mm.
- Provides a mechanically fixed, mortar-free solution.
- Protects the verge from exposure to the elements.
- Also helps to prevent the entry of birds and large insects.
- Suitable for both new build and refurbishment details.
- Can be installed on roof pitches between 15° and 55°.
- Drains moisture away from the wall to prevent staining.
- Manufactured from UV stabilised polypropylene.
- Available in a range of colours to suit various roof types.
- Meets BS 5534 requirements for mechanical fixing.
- System independently wind tunnel tested at the BRE.

References

BSI: BS 5534:2014 Code of Practice for Slating and Tiling
 BRE: Test report number P110111-1000
 BSI: BS 8612:2018
 NHBC: Standards - Chapter 7.2 Pitched Roofs

BS 8612 Specifications

- Independently tested to conform with the requirements of BS 8612.
- Performance data for the tests conducted on this product is available upon request.

MANTHORPE BUILDING PRODUCTS LTD
 MANTHORPE HOUSE
 BRITAIN DRIVE
 CODNOR GATE BUSINESS PARK
 RIPLEY
 DERBYSHIRE DE5 3ND

TEL: 01773 303 000
 FAX: 01773 303 300
 EMAIL: mbp.care@manthorpebp.co.uk
 WEB: www.manthorpebp.co.uk

DRN K.B Date 20.06.19

The company maintains a policy of continuous development of its product range and reserves the right to amend the specification without notice.

DRG No

MBP 8325

Issue

C