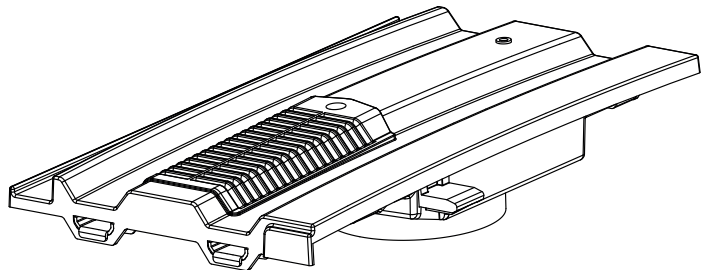
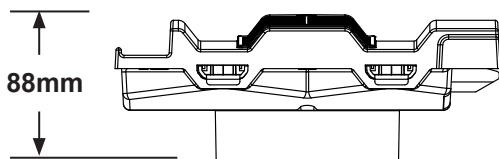
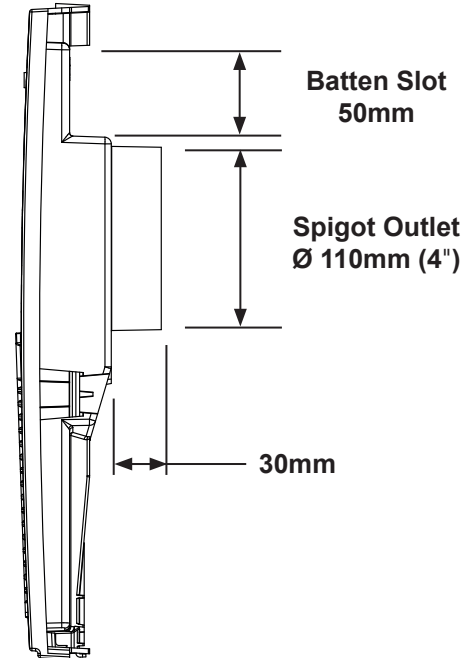
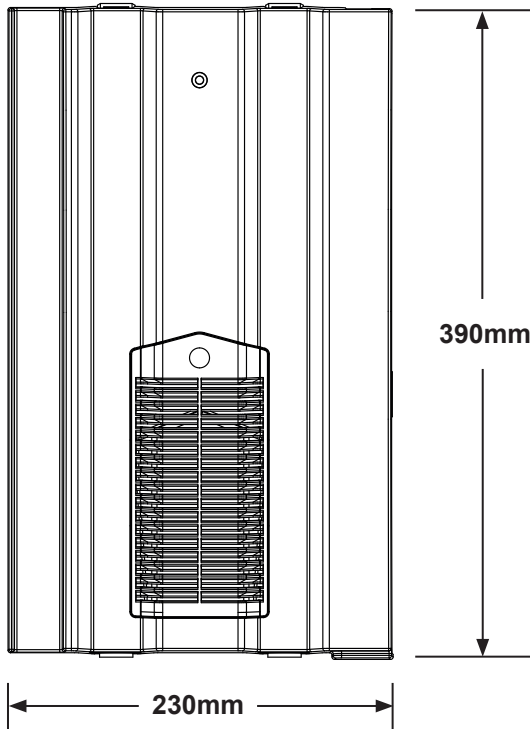


Tile Ventilator Range - Mini Castellated

CODE **GTV-MC**



Required Ventilation	Vent Spacing
5,000 mm ² /m	Install at 1.0m centres
10,000 mm ² /m	Install at 0.5m centres
25,000 mm ² /m	Install at 0.2m centres

Tile Compatibility
Marley Ludlow Plus
Redland 49
Sandtoft Standard Pattern
Forticrete V2

References
BSI: BS 5250:2011 Control of Condensation in Building
BSI: BS 5534:2003 Code of Practice for Slate and Tiling
BSI: BS 490:2004 Concrete tiles and fittings for roof covering
BRE: prEN 15601
Building Regulations 2010
NHBC: Good Craftsmanship Guides

Installation Overview
The vent is laid in a straight bond format, taking the place of single tile with no need to cut the tiling battens.
The vent should not be installed on a roof pitch below 17.5 degrees.

MANTHORPE BUILDING PRODUCTS LTD
 MANTHORPE HOUSE
 BRITAIN DRIVE
 CODNOR GATE BUSINESS PARK
 RIPLEY
 DERBYSHIRE DE5 3ND

TEL: 01773 303 000
 FAX: 01773 303 300
 EMAIL:
 customercare@manthorpebp.co.uk
 WEB
 www.manthorpebp.co.uk

DRN B.H. Date 20.06.19
 The company maintains a policy of continuous development of its product range and reserves the right to amend the specification without notice.

DRG No
MBP 8307

Issue
B
 2 of 2