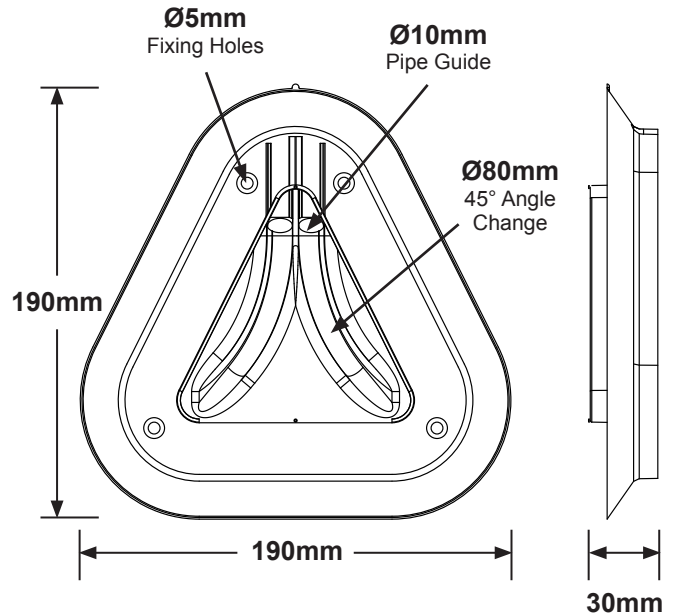
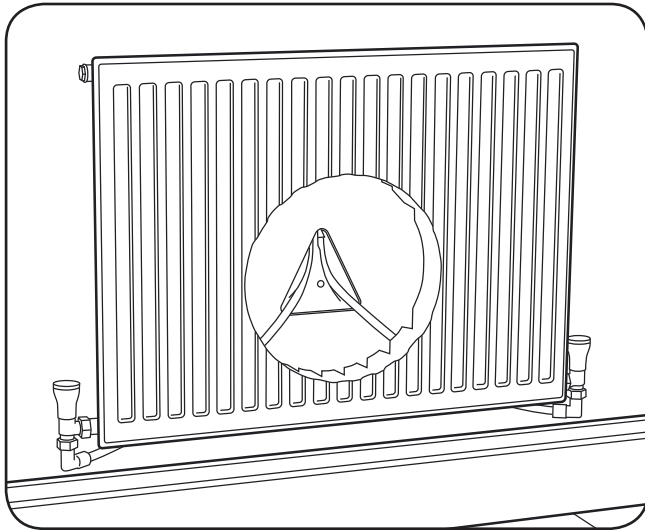


**Radiator Pipe Guide & Seal**

CODE **GRS**

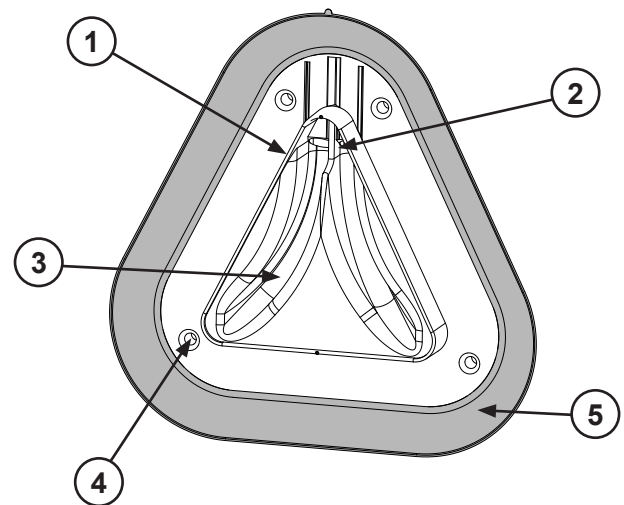


**Description**

The GRS Radiator Pipe Guide & Seal has been designed and developed to meet the air leakage needs of the modern builder.

The unit fits behind the radiator guiding both pipes to the radiator valves without kinking or chaffing problems while also providing a draft seal. This helps builders to achieve the new air leakage requirements of the building regulations.

**Suitable for use with 10mm flexible pipes.**



**Specifications**

<b>Colours</b>	White
<b>Packing Details</b>	20 per box
<b>Weight</b>	80g per unit 1.96 kg per box
<b>Materials - Guide Seal</b>	Polypropylene Thermoplastic Elastomer
<b>Manufacturing Process</b>	Injection Moulded

**Product Features**

<b>1</b>	Skim Bead - A guide for plastering up to.
<b>2</b>	Pipe Clamp - Prevents chaffing of the pipe.
<b>3</b>	Pipe Guide - Eliminates kinking & helps to prevent the pipes sagging.
<b>4</b>	Fixing Points - 4 secure fixing points.
<b>5</b>	Twin Shot Seal - To stop air leakage.

**References**

DOE: Building Regulations Part L Air Leakage

MANTHORPE BUILDING PRODUCTS LTD  
MANTHORPE HOUSE  
BRITAIN DRIVE  
CODNOR GATE BUSINESS PARK  
RIPLEY  
DERBYSHIRE  
DE5 3ND

TEL: 01773 303 000  
FAX: 01773 303 300  
EMAIL:  
mbp.care@manthorpebp.co.uk  
WEB  
www.manthorpebp.co.uk

DRN B.H. Date 23.07.19

DRG No

Issue

The company maintains a policy of continuous development of its product range and reserves the right to amend the specification without notice.

**MBP 8234**

**C**