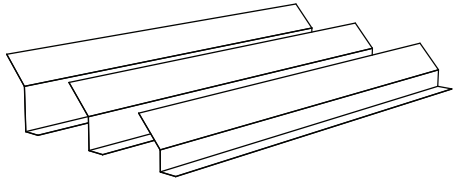
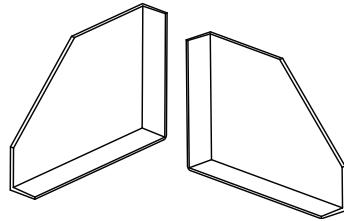


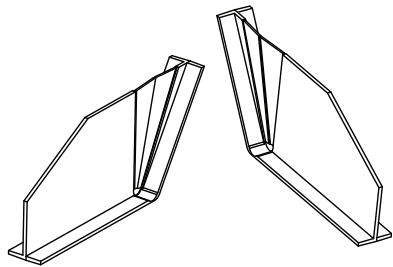
The Complete System



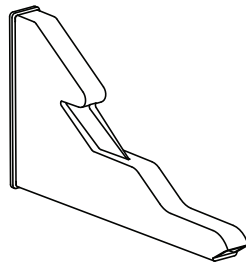
Lintel Tray (various sizes)
(Code: GW281, GW282, GW283)



Lintel Stop Ends
(Code: G955)



Adjustable Lintel Stop Ends
(Code: G956)



Peep Weep
(Code: G950)

Other products from the Manthorpe Range include Cavity Trays, Cavity Closer, Loft Doors, Roof Ventilation, Through Wall Ventilation, Joist Seals and Dry Roofing Products.



Manthorpe Building Products Limited

Manthorpe House, Brittain Drive, Codnor Gate Business Park, Ripley, Derbyshire DE5 3ND

T: 01773 303 000 F: 01773 303 300

E: mbp.care@manthorpebp.co.uk

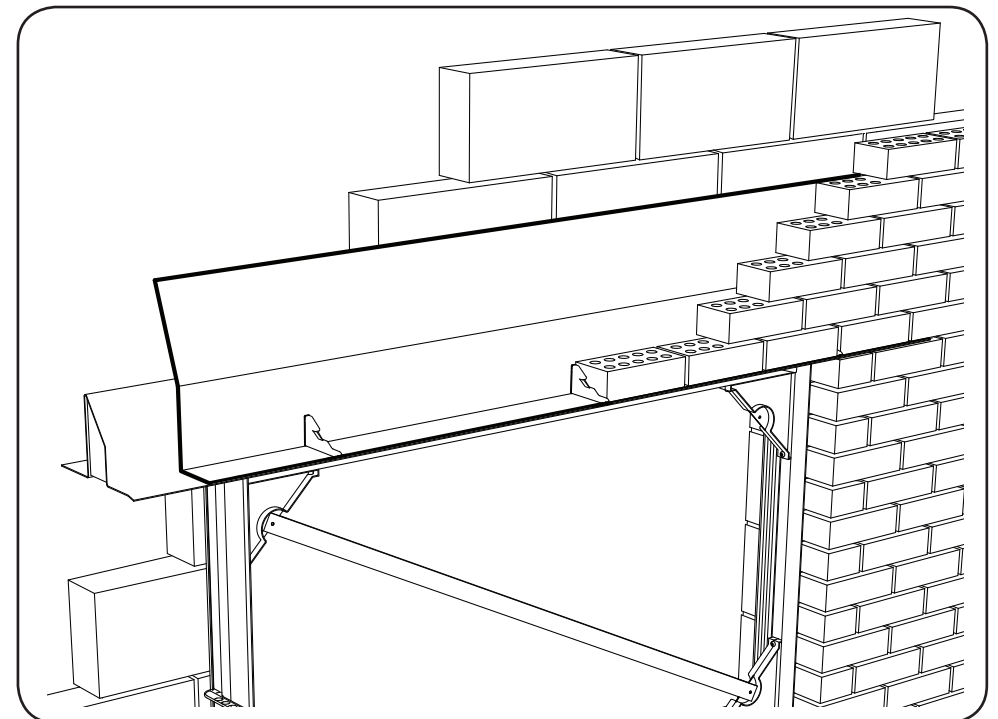
W: <http://www.manthorpebp.co.uk>

Manthorpe

Lintel Tray

Fixing Instructions

MBP0672e



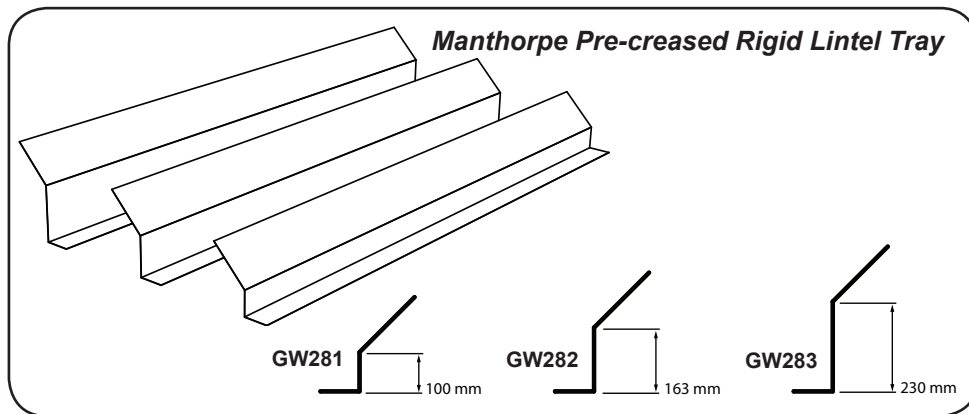
Product Description

The Manthorpe range of Lintel Trays are fabricated in three different sizes to suit cavity widths up to 150mm and lintel heights of 230mm. They are available in rolled lengths of 5 & 25 meters. Its pre-creased design enables the tray to be folded to suit a variety of lintel profiles and its rigidity allows it to be self supporting. This eliminates the need to build into the inner leaf wall.

Manthorpe's Lintel Trays are designed in response to NHBC and British Standard requirements. These state that cavity tray/dampproof protection should be provided over all openings, either as a combined part of the lintel or separately.

The Lintel Tray is made of tough, durable Polypropylene and will protect cavity wall lintels against corrosion from moisture. When teamed with Weep Vents and Stop Ends, the flow of water is prevented from spilling over the ends of the lintel into the cavity below and redirected out through Peep or Weep Vents.

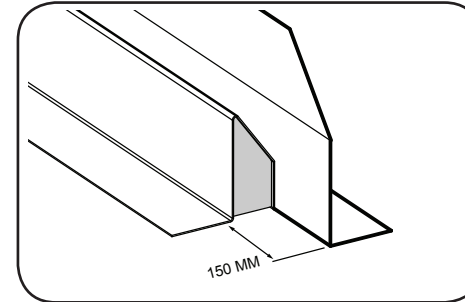
Product Specification



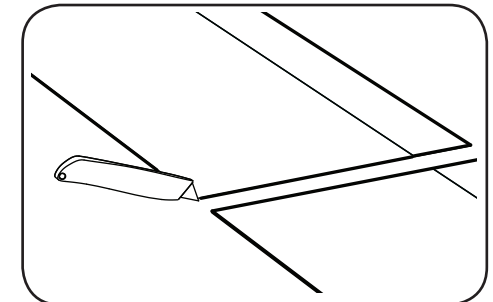
Important: Before installation check that the size of Lintel Tray you are using is compatible with the height of your lintel.

PRODUCT CODE	LINTEL TRAY HEIGHT	LINTEL TRAY LENGTH
GW 281 / 5	100 MM	5 METERS
GW 281 / 25	100 MM	25 METERS
GW 282 / 5	163 MM	5 METERS
GW 282 / 25	163 MM	25 METERS
GW 283 / 5	230 MM	5 METERS
GW 283 / 25	230 MM	25 METERS

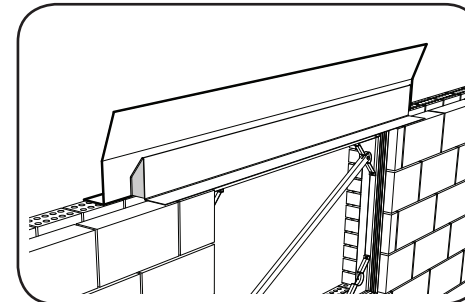
Product Installation



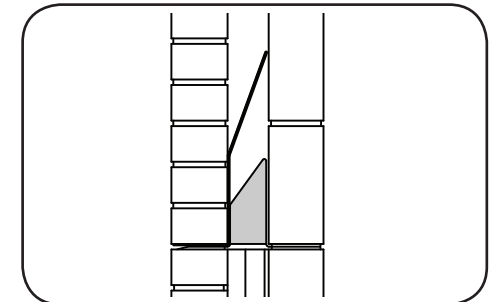
1. NHBC states the Lintel Tray should overhang the lintel by 150mm at both ends.



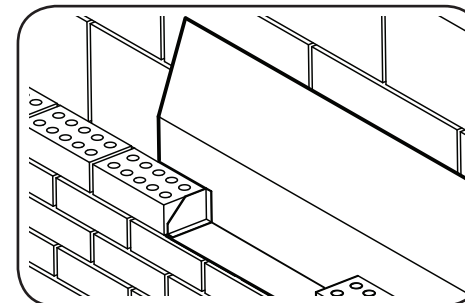
2. Proceed to cut the Lintel Tray to your desired length (we recommend using a sharp knife).



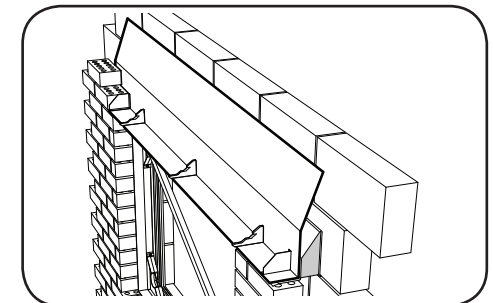
3. Fold the Lintel Tray along the pre-creased lines, making sure the textured side faces downwards to provide a good mortar key. Place Lintel Tray on lintel and secure using a mortar bedding/bonding technique.



4. Ensure that the Lintel Tray is not obstructed by mortar droppings and spans the full width of the cavity, resting on the inner leaf.



5. Both ends of the Lintel Tray should be closed off with a pair of stop ends (either G955 Lintel Stop End for 90 degree details or G956 Adjustable Stop End) positioned at the most convenient perp joint towards the end of the Lintel Tray. Thus preventing water spillage over the ends of the tray into the cavity below.



6. Water collected on the Lintel Tray should be allowed to disperse through either a G950 Weep Vent or G951 Peep Weep spaced at no greater than 900mm centres. To meet NHBC guidelines "weep holes are recommended to be sited at every 450mm maximum with at least two per opening above all windows and doors".