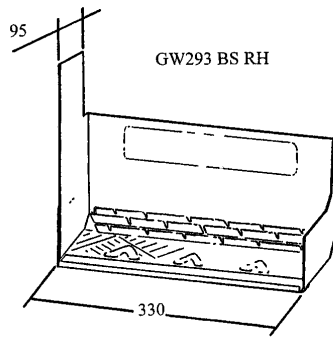
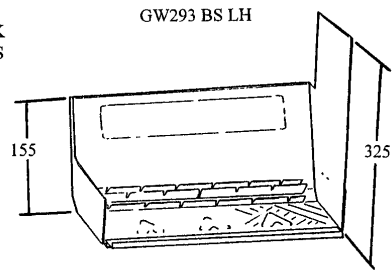


## BLOCK / STONework CAVITY TRAY DIMENSIONS

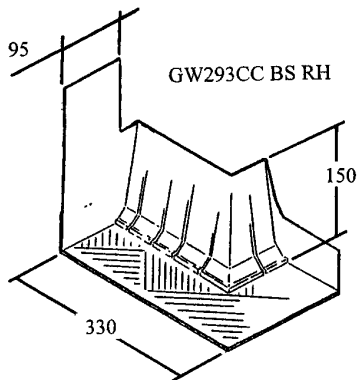


GW293 BS RH

STONE / BLOCKWORK  
CATCHMENT TRAY'S

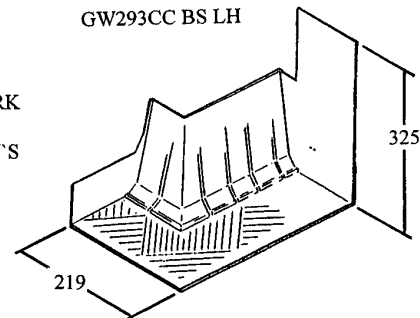


GW293 BS LH



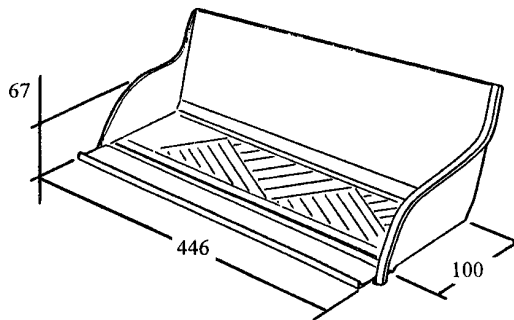
GW293CC BS RH

STONE / BLOCKWORK  
CORNER  
CATCHMENT TRAY'S

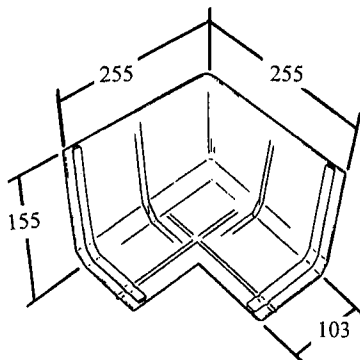
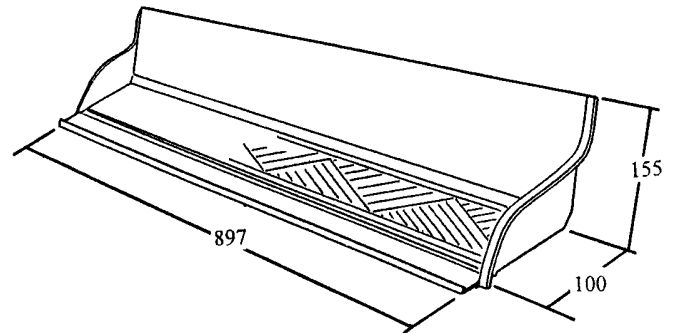


GW293CC BS LH

GW294 REFURB / SHORT HORIZONTAL TRAY

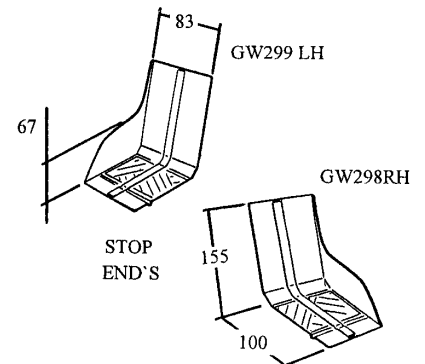
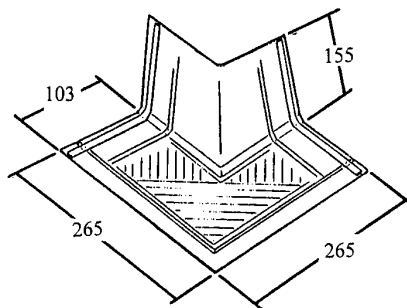


GW295 HORIZONTAL TRAY



GW296 INTERNAL CORNER

GW297 EXTERNAL CORNER



**ALL DIMENSIONS IN mm**

MANTHORPE BUILDING PRODUCTS LTD  
MANTHORPE HOUSE  
BRITAIN DRIVE  
CODNOR GATE BUSINESS PARK  
RIPLEY  
DERBYSHIRE DE5 3ND

TEL: 01773 303 000  
FAX: 01773 303 300  
EMAIL:  
[mbp.care@manthorpebp.co.uk](mailto:mbp.care@manthorpebp.co.uk)  
WEB:  
[www.manthorpebp.co.uk](http://www.manthorpebp.co.uk)

DRN M.A

Date 24.06.19

DRG No

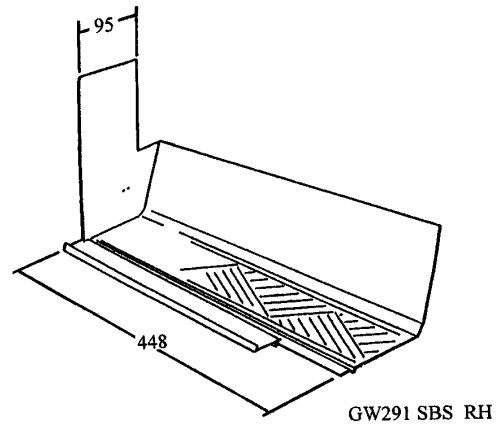
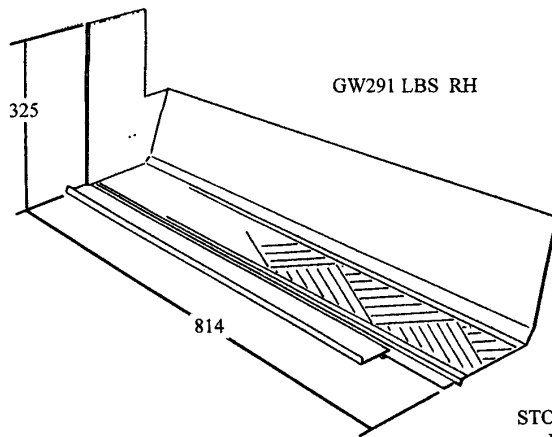
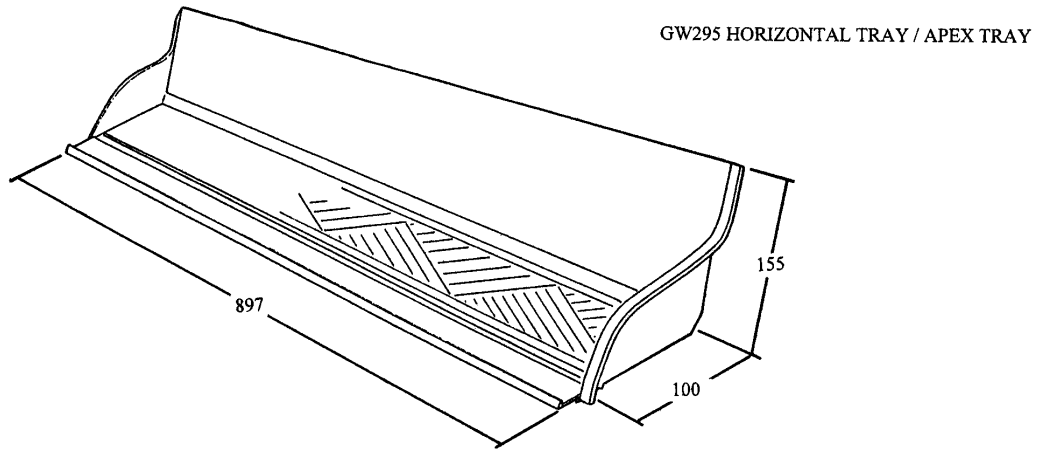
Issue

The company maintains a policy of continuous development of its product range and reserves the right to amend the specification without notice.

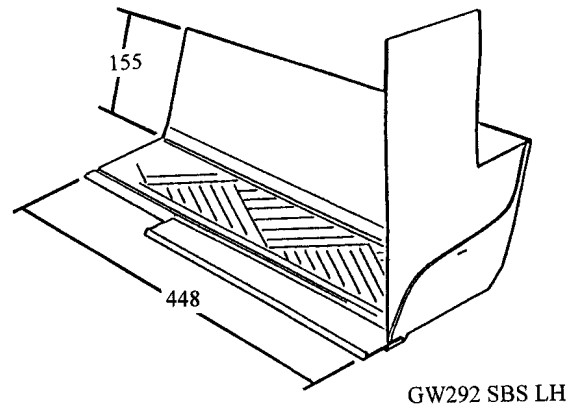
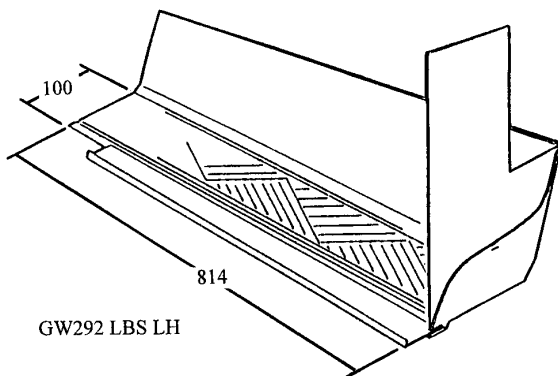
**MBP 8124**

**B**

## BLOCK / STONEWORK CAVITY TRAY DIMENSIONS



STONE / BLOCKWORK  
INTERMEDIATE  
TRAYS



**ALL DIMENSIONS IN mm**

MANTHORPE BUILDING PRODUCTS LTD  
MANTHORPE HOUSE  
BRITAIN DRIVE  
CODNOR GATE BUSINESS PARK  
RIPLEY  
DERBYSHIRE DE5 3ND

TEL: 01773 303 000  
FAX: 01773 303 300  
EMAIL:  
[mbp.care@manthorpebp.co.uk](mailto:mbp.care@manthorpebp.co.uk)  
WEB:  
[www.manthorpebp.co.uk](http://www.manthorpebp.co.uk)

DRN M.A

Date 24.06.19

DRG No

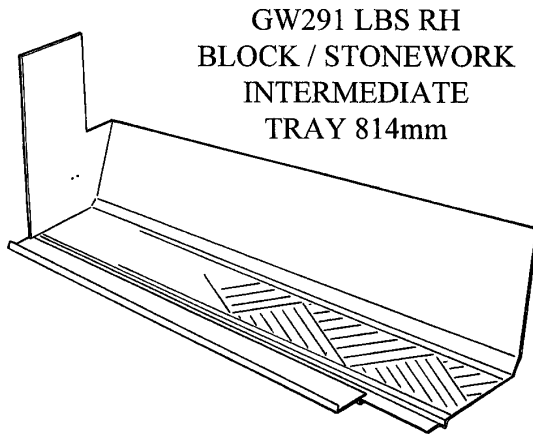
Issue

The company maintains a policy of continuous development of its product range and reserves the right to amend the specification without notice.

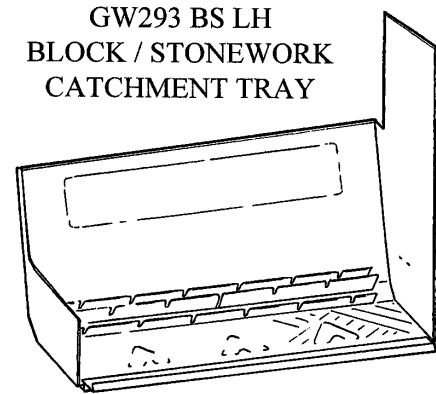
**MBP 8124**

**B**

## BLOCK / STONework TRAYS AND EFFECTIVE PITCHES

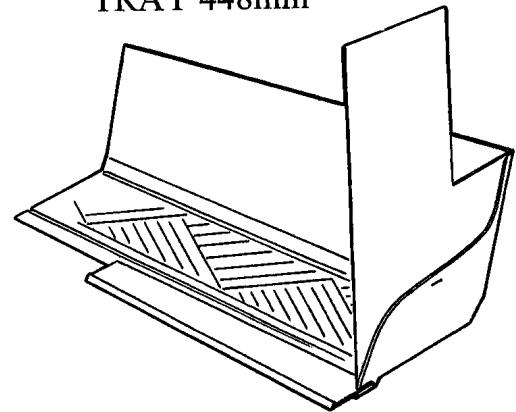


GW291 LBS RH  
BLOCK / STONework  
INTERMEDIATE  
TRAY 814mm



GW293 BS LH  
BLOCK / STONework  
CATCHMENT TRAY

GW292 SBS LH  
BLOCK / STONework  
INTERMEDIATE  
TRAY 448mm

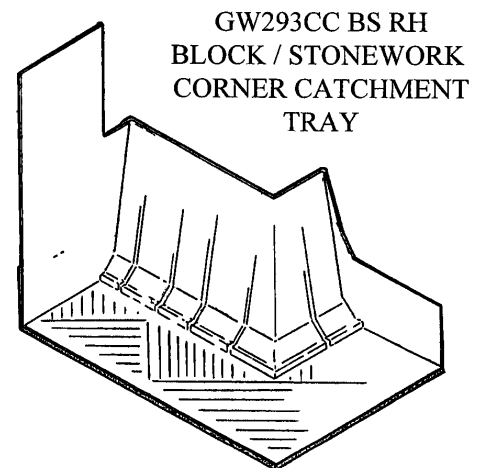


### 150 COURSING

CODE	APPROXIMATE LENGTH OF TRAY	PITCH RANGE
GW291 LBS	814mm	12 TO 24
GW292 LBS	814mm	12 TO 24
GW291 SBS	448mm	25 TO 50
GW292 SBS	448mm	25 TO 50
GW293 BS	330mm	ALL PITCHES
GW293CC BS	330mm x 219mm	ALL PITCHES

### 225 COURSING

CODE	APPROXIMATE LENGTH OF TRAY	PITCH RANGE
GW291 LBS	814mm	17.5 TO 34
GW292 LBS	814mm	17.5 TO 34
GW291 SBS	448mm	35 TO 50
GW292 SBS	448mm	35 TO 50
GW293 BS	330mm	ALL PITCHES
GW293CC BS	330mm x 219mm	ALL PITCHES



GW293CC BS RH  
BLOCK / STONework  
CORNER CATCHMENT  
TRAY

MANTHORPE BUILDING PRODUCTS LTD  
MANTHORPE HOUSE  
BRITAIN DRIVE  
CODNOR GATE BUSINESS PARK  
RIPLEY  
DERBYSHIRE DE5 3ND

TEL: 01773 303 000  
FAX: 01773 303 300  
EMAIL: [mbp.care@manthorpebp.co.uk](mailto:mbp.care@manthorpebp.co.uk)  
WEB: [www.manthorpebp.co.uk](http://www.manthorpebp.co.uk)

DRN M.L.W.O Date 24.06.19

The company maintains a policy of continuous development of its product range and reserves the right to amend the specification without notice.

DRG No

**MBP 8123**

Issue

**B**

TITLE GENERAL FITTING DETAIL UNLEADED TRAYS

CODE

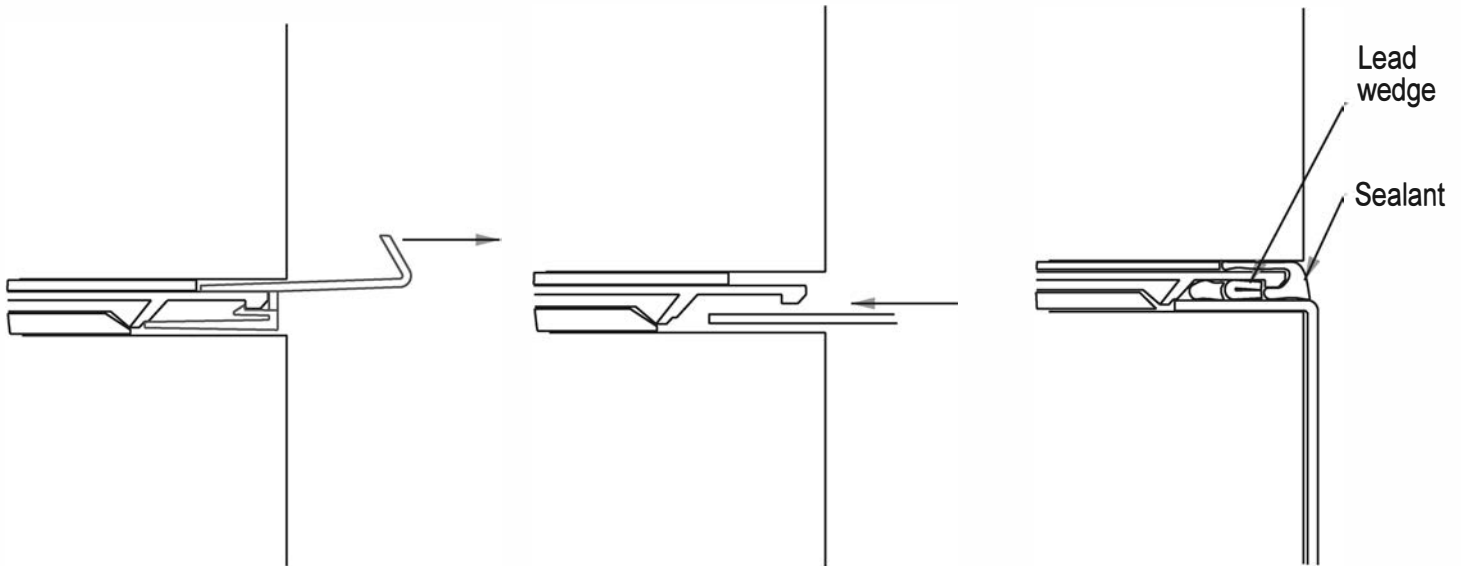
50 - 100MM

102.5MM

MORTAR STRIP

BED TRAY TOP AND BOTTOM WITH MORTAR

### FITTING LEAD



① Wait until mortar is dry and wall is stable then pull out mortar strip to leave a 25mm slot

② Push lead into the gap ensuring it fits under the Cavity Tray. Secure lead flashing using lead wedges as per normal practice.

③ Dress lead down into position and point with a suitable flexible lead sealant.

For further information on the fitting and dressing of lead refer to the 'Lead Sheet Manual' available from the Lead Sheet Association.

MANTHORPE BUILDING PRODUCTS LIMITED  
MANTHORPE HOUSE, BRITAIN DRIVE,  
CODNOR GATE BUSINESS PARK,  
RIPLEY, DERBYSHIRE DE5 3ND.

TELE: 01773 303 000  
FAX: 01773 303 300

Email:  
mbp.care@manthorpebp.co.uk  
Web:  
www.manthorpebp.co.uk

Drm

MC

Date

21/06/19

DRG No

8046

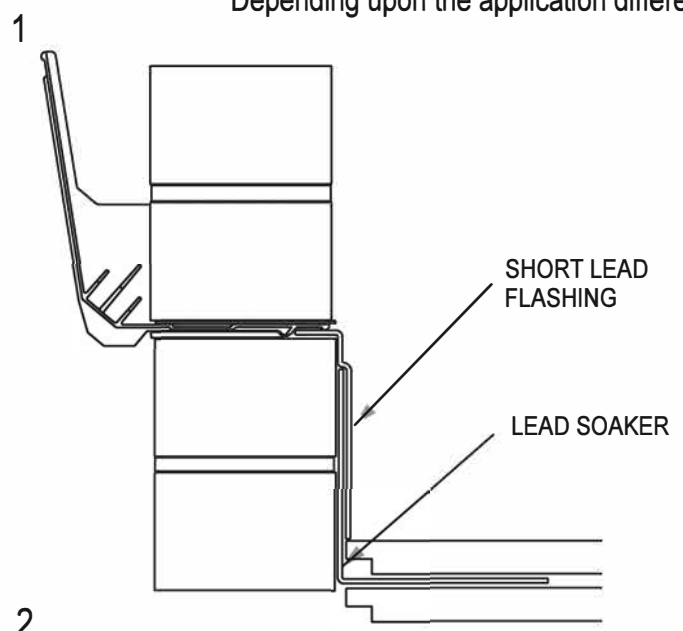
ISSUE

B

The Company maintains a policy of continuous development of its product range and reserve the right to amend the specification without notice.

TITLE	DIFFERENT LEAD TYPES	CODE
-------	----------------------	------

Depending upon the application different sizes of lead should be used



For general details and normal exposure areas code 4 lead is recommended. For severe exposure areas code 5 lead is recommended

Fig. 1 shows a typical abutment situation using lead soakers.

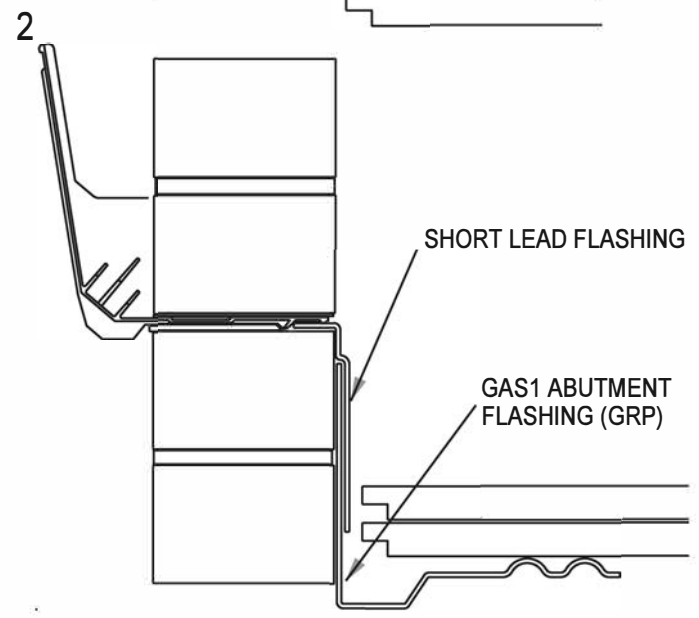


Fig. 2 shown an abutment flashing and secret gutter detail. Secret gutters are traditionally made from lead but are now more commonly bought preformed in GRP.

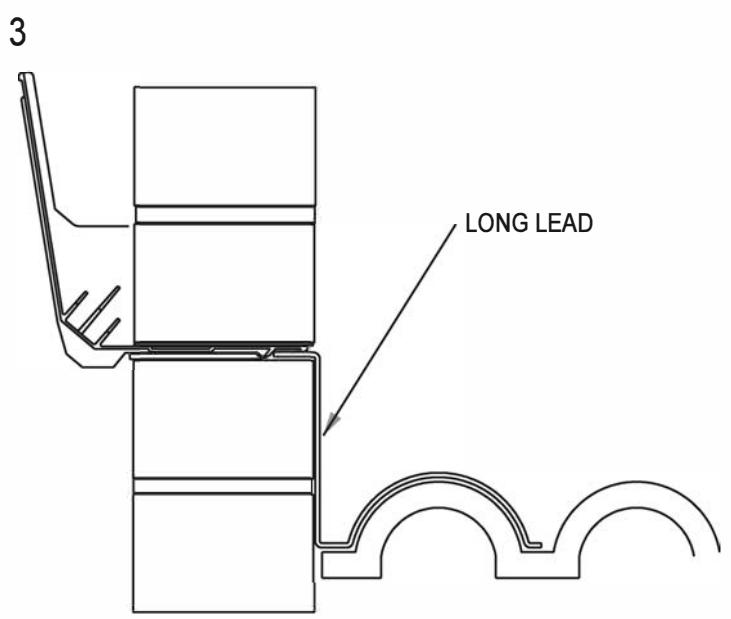


Fig. 3 shows a long lead application. In this detail the lead is dressed over the tile in one continuous piece then moulded into the contours of the tile. This type of flashing should only be used on contoured roof finishes.

FOR FURTHER TECHNICAL INFORMATION ON THE FITTING OF LEAD SHEET REFER TO

THE LEAD SHEET MANUAL  
Available from  
LEAD SHEET ASSOCIATION

MANTHORPE BUILDING PRODUCTS LTD MANTHORPE HOUSE, BRITAIN DRIVE, CODNOR GATE BUSINESS PARK, RIPLEY, DERBYSHIRE DE5 3ND.	TELE: 01773 303 000 FAX: 01773 303 300 Email: mbp.care@manthorpebp.co.uk Web: www.manthorpebp.co.uk	Dm <b>MC</b>	Date 21/06/2019	DRG No  	ISSUE
			The Company maintains a policy of continuous development of its product range and reserve the right to amend the specification without notice.	<b>8047</b>	B