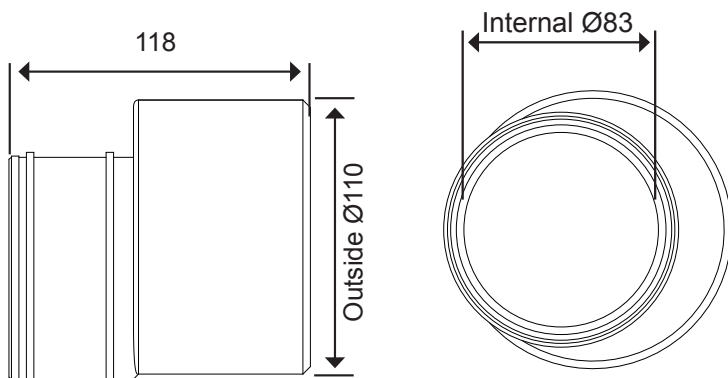
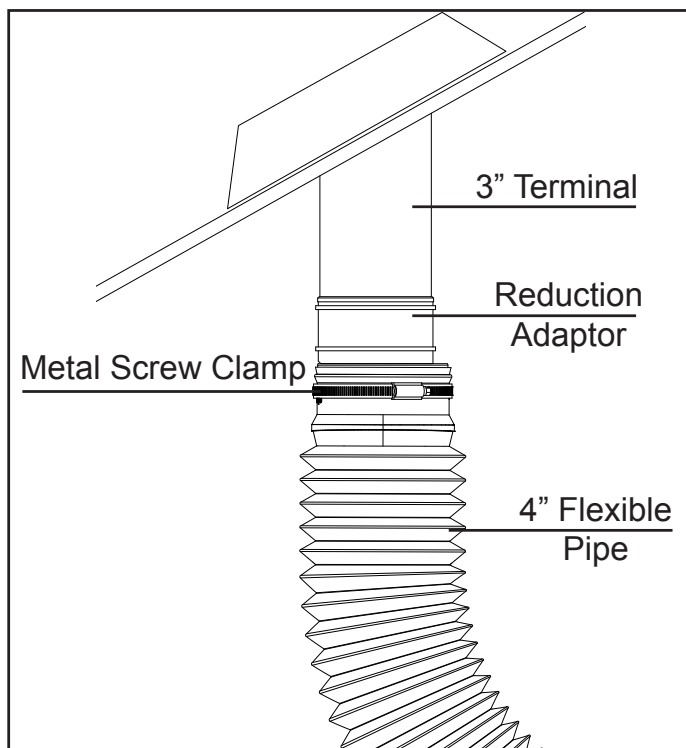


**Reduction Adaptor**

CODE **GRPA/3**



**Fitting Instructions:**

The GRPA/3 Reduction Adaptor should simply be pushed inside the 4" diameter flexible pipe being used.

<b>COLOURS</b>	Black
<b>PACKING DETAILS</b>	Packed in 10's per cardboard box
<b>WEIGHT</b>	2kg per box
<b>MATERIAL</b>	PVC
<b>MANUFACTURING PROCESS</b>	Injection Moulded
<b>FREE AIRFLOW mm<sup>2</sup></b>	5400mm <sup>2</sup>

**Description:**

The GRPA/3 Reduction Adaptor is designed for reducing 4" ducting and flexible pipes in order to make connection to 3" ventilation products possible.

MANTHORPE BUILDING PRODUCTS LTD  
 MANTHORPE HOUSE  
 BRITAIN DRIVE  
 CODNOR GATE BUSINESS PARK  
 RIPLEY  
 DERBYSHIRE  
 DE5 3ND

TEL: 01773 303 000  
 FAX: 01773 303 300  
 EMAIL:  
 mbp.care@manthorpebp.co.uk  
 WEB  
 www.manthorpebp.co.uk

DRN K.B. Date 20.08.19

The company maintains a policy of continuous development of its product range and reserves the right to amend the specification without notice.

DRG No

**MBP 8341**

Issue

**A**