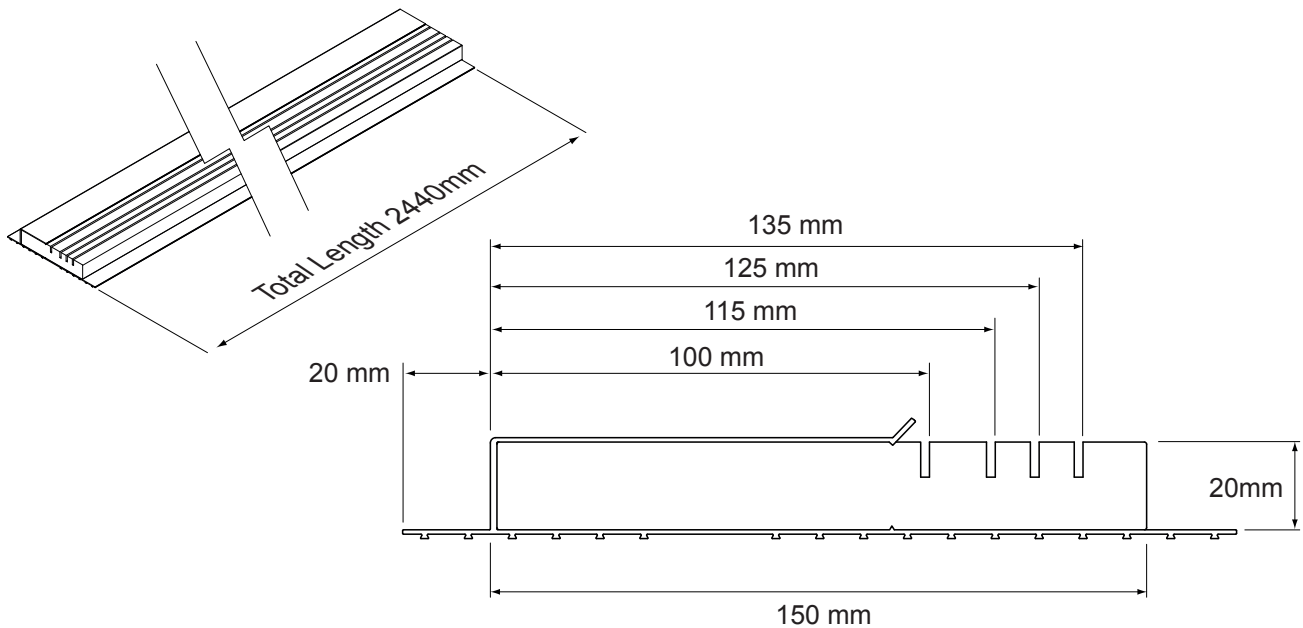


## WCMulticor150 Cavity Closer



### Description

The WCMulticor150 Cavity Closer suits standard cavity widths between 100mm & 150mm.

It provides an economical solution to cold bridging problems at window and door reveals, not only providing a thermal break to the cavity but also acting as an effective vertical DPC barrier at the jambs.

The multi width closer can be quickly and accurately cut down by the user to suit various widths of cavity by using the groove guides.

The WCMulticor150 closer achieves the required Thermal Resistance (R Value) at the reveal of door and window openings when the frames are fixed to allow a 30mm overlap into the cavity.

### References

Author	Publication
<b>BSI</b>	<b>BS 5250:</b> Control of condensation in buildings.
<b>Building Regulations</b>	<b>Approved Document L1 &amp; L2:</b> Conservation of fuel and power.
<b>NHBC Standards</b>	<b>Technical Guidance 6.7:</b> Doors, Windows & Glazing
	<b>Good Practice Guides</b>
<b>BRE</b>	<b>Digest Report 262:</b> Thermal Insulation: Avoiding Risks. <b>Information Paper IP 1/06:</b> Thermal Bridging at Junctions & Openings

### Specification

	Extrusion	Insulation
<b>Material</b>	uPVC	Superplus Polystyrene
<b>Colour</b>	White	Black
<b>K-Value</b>	0.030 W/mk	
<b>Packing Details</b>	6 lengths per pack	
<b>Weight</b>	1.58kg per length / 9.50kg per pack	

MANTHORPE BUILDING PRODUCTS LTD  
MANTHORPE HOUSE  
BRITAIN DRIVE  
CODNOR GATE BUSINESS PARK  
RIPLEY  
DERBYSHIRE DE5 3ND

TEL: 01773 303 000  
FAX: 01773 303 300  
EMAIL:  
mbp.care@manthorpebp.co.uk  
WEB  
www.manthorpebp.co.uk

DRN K.B. Date 19/08/19

The company maintains a policy of continuous development of its product range and reserves the right to amend the specification without notice.

DRG No

**MBP 8338**

Issue

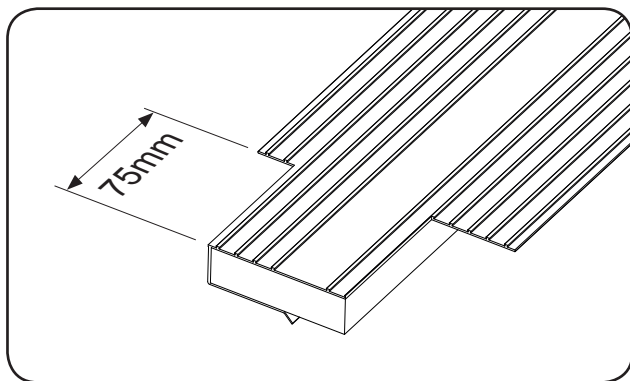
**A**  
1 of 3

## WCMulticor150 Cavity Closer

### WCMulticor150 Closer Preparation

When using the WCMulticor150 Cavity Closer use the pre cut groove guides in the insulation to trim down the closer to fit the cavity. Run down the entire length of the product with a knife using the grooves as a guide to achieve the required width. There is no need to trim down the width of the extrusion when using narrower cavity widths.

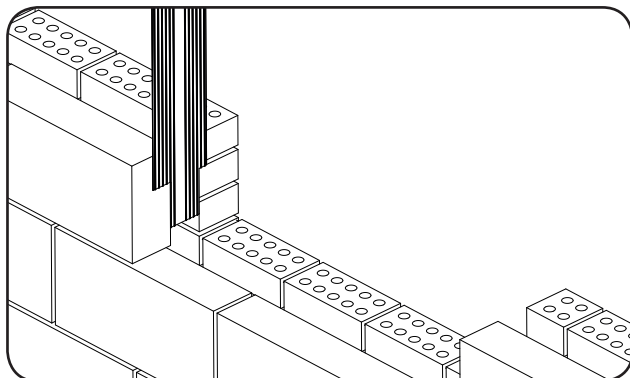
### Installation



**1.** Brick up the cavity wall to sill height in the conventional manner.

Cut two jamb sections 75mm over-size and then trim the flanges on either side back by 75mm as shown in the diagram.

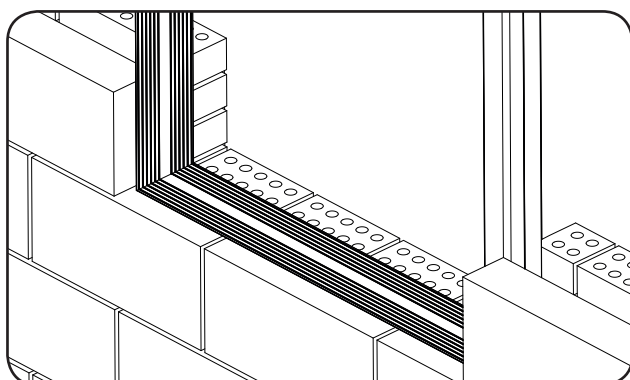
The jamb sections will become handed in doing this so take care to cut the correct ends.



**2.** Place both of these jamb sections up either side of the opening with the 75mm trimmed section at the bottom.

The side with the longer flange should point to the inside of the property.

Allow the trimmed section to drop down inside the cavity, below the sill level.



**3.** Cut a third piece of cavity closer to length ensuring it will fit between the jamb sections.

Drop this piece horizontally along the sill with the insulation dropping down inside the cavity.

Secure all pieces of the cavity closer by plugging and screwing through the larger flange into the internal leaf.

MANTHORPE BUILDING PRODUCTS LTD  
MANTHORPE HOUSE  
BRITTAIN DRIVE  
CODNOR GATE BUSINESS PARK  
RIPLEY  
DERBYSHIRE DE5 3ND

TEL: 01773 303 000  
FAX: 01773 303 300  
EMAIL:  
mbp.care@manthorpebp.co.uk  
WEB  
www.manthorpebp.co.uk

DRN K.B. Date 19.08.19

The company maintains a policy of continuous development of its product range and reserves the right to amend the specification without notice.

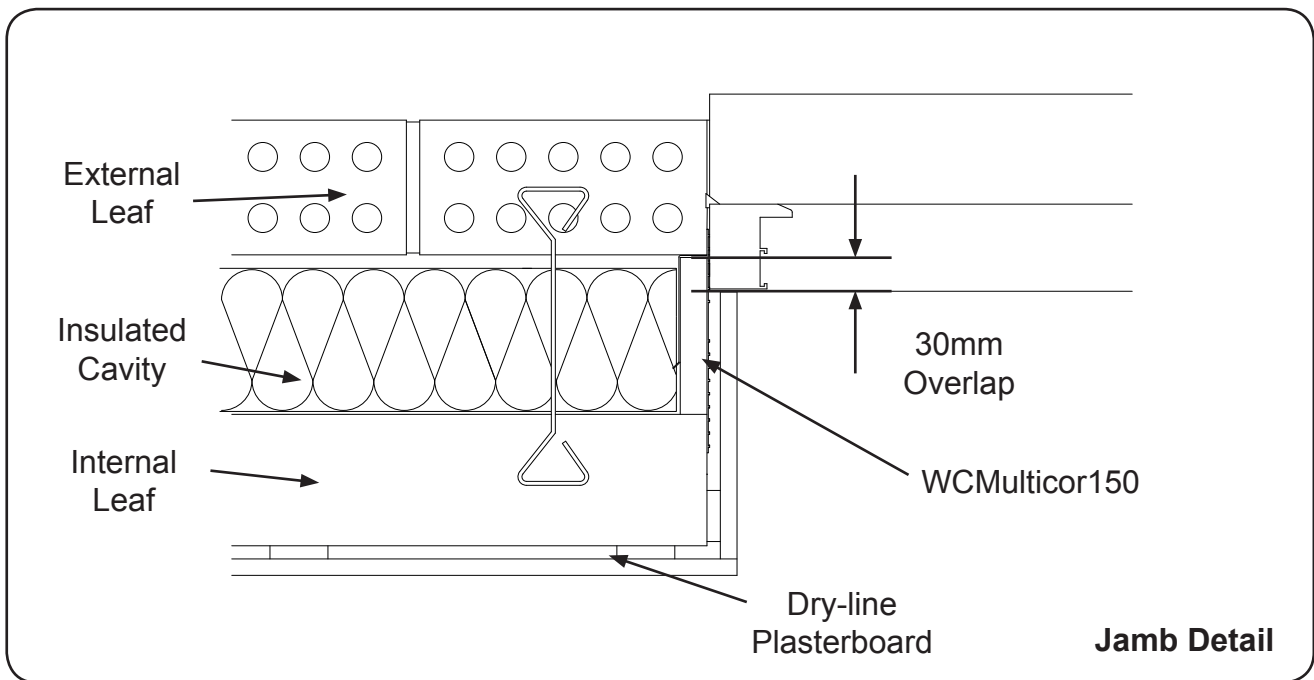
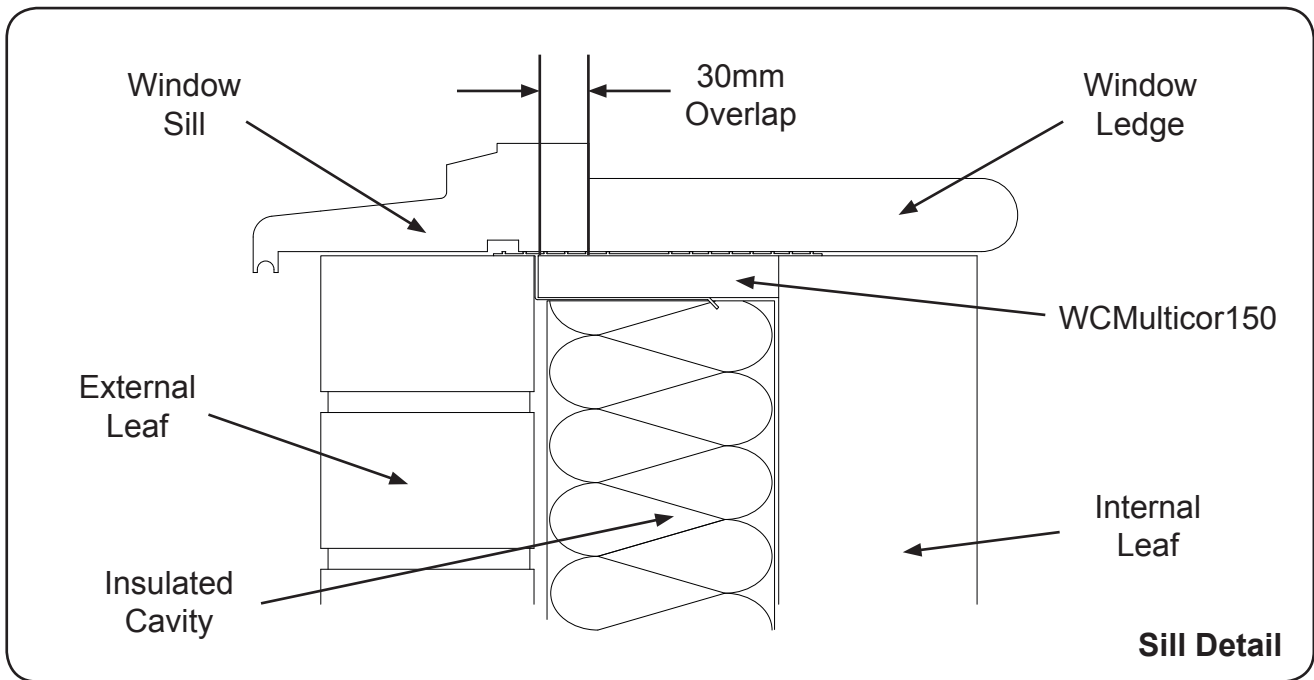
DRG No

**MBP 8338**

Issue

**A**  
2 of 3

## WCMulticor150 Cavity Closer



Fit window as per normal practice ensuring at least a 30mm overlap between the closer and window frame. The installation is completed by the application of a weatherproof seal between the frame and outer leaf.

**Note:** The cavity closer is a non-load bearing product and must not be used as replacement for traditional methods of fixing window and doorframes to the masonry.

MANTHORPE BUILDING PRODUCTS LTD  
 MANTHORPE HOUSE  
 BRITAIN DRIVE  
 CODNOR GATE BUSINESS PARK  
 RIPLEY  
 DERBYSHIRE DE5 3ND

TEL: 01773 303 000  
 FAX: 01773 303 300  
 EMAIL:  
 mbp.care@manthorpebp.co.uk  
 WEB  
 www.manthorpebp.co.uk

DRN K.B. Date 19.08.19

DRG No

Issue

The company maintains a policy of continuous development of its product range and reserves the right to amend the specification without notice.

**MBP 8338**

**A**  
 3 of 3