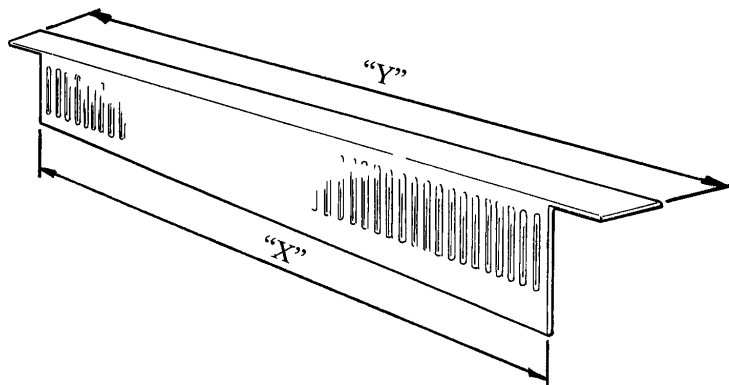
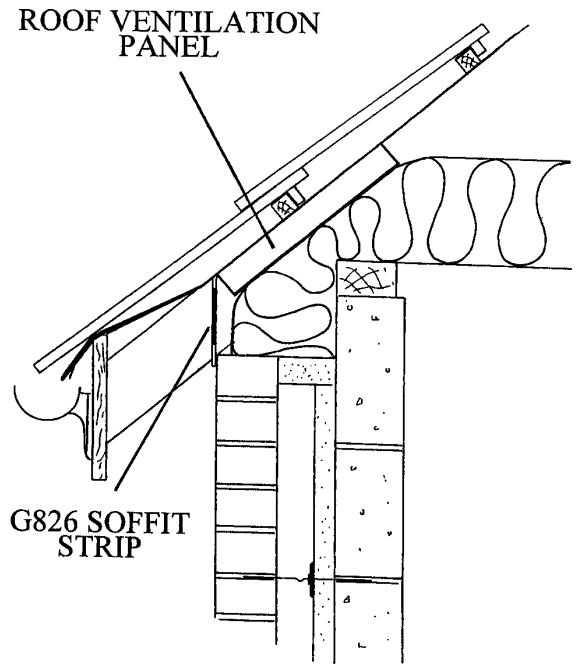
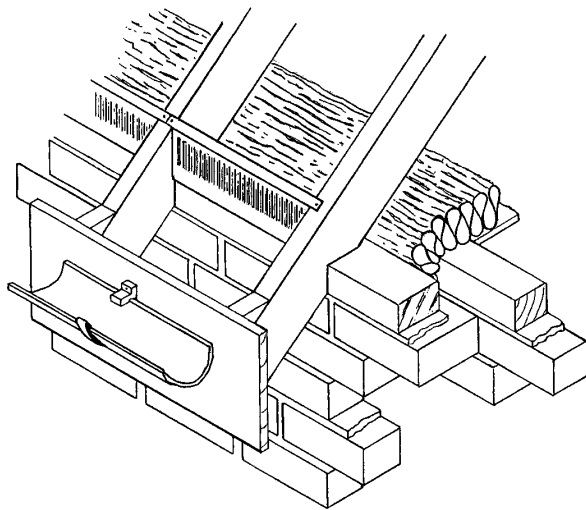


G826 USED AS A FLYSCREEN SOFFIT STRIP FOR OPEN EAVES DETAILS



BASED ON 38MM RAFTERS

	"X"	"Y"
400mm RAFTER CENTRES	360	400
450mm RAFTER CENTRES	410	450
600mm RAFTER CENTRES	560	600

Description:

The G826 Flat Roof Soffit Ventilator can be trimmed as shown above to form an insect mesh strip for cottage style or open eaves situations to suit any rafter centres.

The airflow passage consists of evenly spaced slots specifically sized to prohibit large insects gaining access but wide enough not to be blocked by debris, paint or water droplets (see BS5250 section 6).

Fitting Instructions:

The G826 flat roof soffit ventilator (A) should be fixed to the roof trusses through pre drilled fixing holes and butted up to the outer brick wall as shown.

Use in conjunction with other products from the Manthorpe range to provide a complete roof ventilation system.

FOR MORE DEATILED INFORMATION
SEE PRODUCT INFORMATION SHEET

G826 FLAT ROOF SOFFIT STRIP MBP 8004

MANTHORPE BUILDING PRODUCTS LTD
MANTHORPE HOUSE
BRITAIN DRIVE
CODNOR GATE BUSINESS PARK
RIPLEY
DERBYSHIRE DE5 3ND

TEL: 01773 303 000
FAX: 01773 303 300
EMAIL:
mbp.care@manthorpebp.co.uk
WEB:
www.manthorpebp.co.uk

DRN M.A

Date 02.07.19

DRG No

Issue

The company maintains a policy of continuous development of its product range and reserves the right to amend the specification without notice.

MBP 8154

B