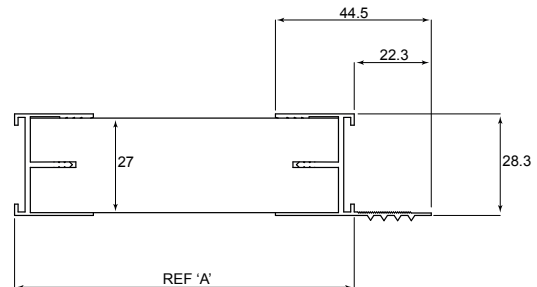
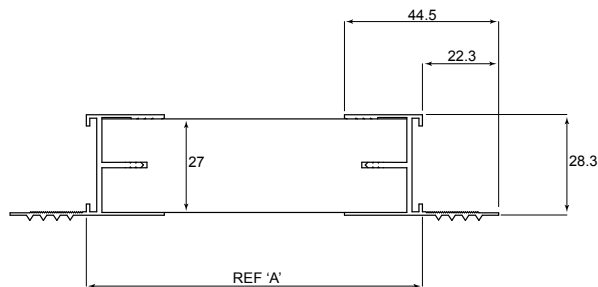
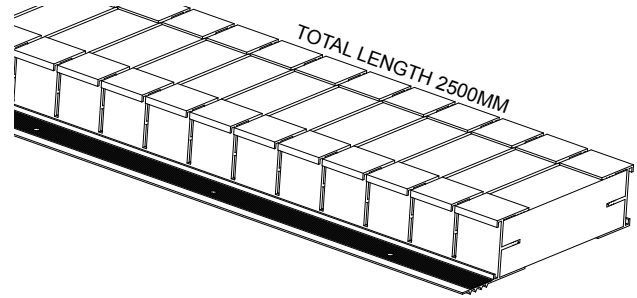
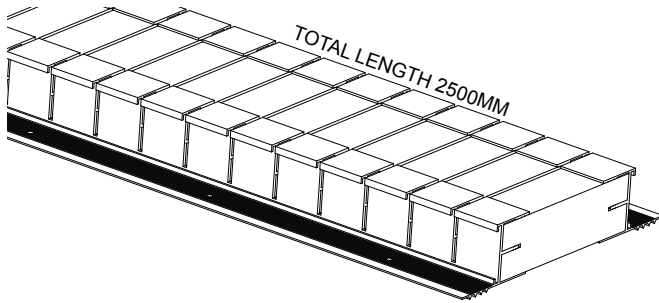


## Flexible Thermal Cavity Closer

CODE G243/G244



PRODUCT CODE	DIMENSION REFERENCE 'A'	WEIGHT PER PACK
G243/50	50 +0/-2	6.30kg
G243/65	65 +0/-2	6.60kg
G243/75	75 +0/-2	6.70kg
G243/85	85 +0/-2	6.80kg
G243/90	90 +0/-2	7.05kg
G243/100	100 +0/-2	7.20kg

Intermediate sizes up to 150mm can be made to order

PRODUCT CODE	DIMENSION REFERENCE 'A'	WEIGHT PER PACK
G244/50	50 +0/-2	5.80kg
G244/65	65 +0/-2	6.10kg
G244/75	75 +0/-2	6.20kg
G244/85	85 +0/-2	6.30kg
G244/90	90 +0/-2	6.55kg
G244/100	100 +0/-2	6.70kg

Intermediate sizes up to 150mm can be made to order

	EXTRUSION	STYROFOAM
<b>COLOUR</b>	WHITE	BLUE
<b>PACKING DETAILS</b>	6 LENGTHS PER PACK	
<b>MATERIAL</b>	UPVC	CFC free extruded polystyrene
<b>MANUFACTURING PROCESS</b>	EXTRUSION	
<b>K VALUE</b>	-	0.035 W/mK
<b>ODP</b>	-	0
<b>GWP</b>	-	LESS THAN 5
<b>CFC</b>	-	FREE

References	
BRE:	DIGEST 262
BRE:	Information Paper IP 8/08
BSI:	BS5250
DOE:	Building Regs L
NHBC:	Good Practice Guide
NHBC:	Standards
BBA CERT NO:	96/3226

MANTHORPE BUILDING PRODUCTS LTD  
 MANTHORPE HOUSE  
 BRITTAIN DRIVE  
 CODNOR GATE BUSINESS PARK  
 RIPLEY  
 DERBYSHIRE DE5 3ND

TEL: 01773 303 000  
 FAX: 01773 303 300  
 EMAIL: mbp.care@manthorpebp.co.uk  
 WEB  
 www.manthorpebp.co.uk

DRN M.R Date 21.06.19

DRG No

Issue

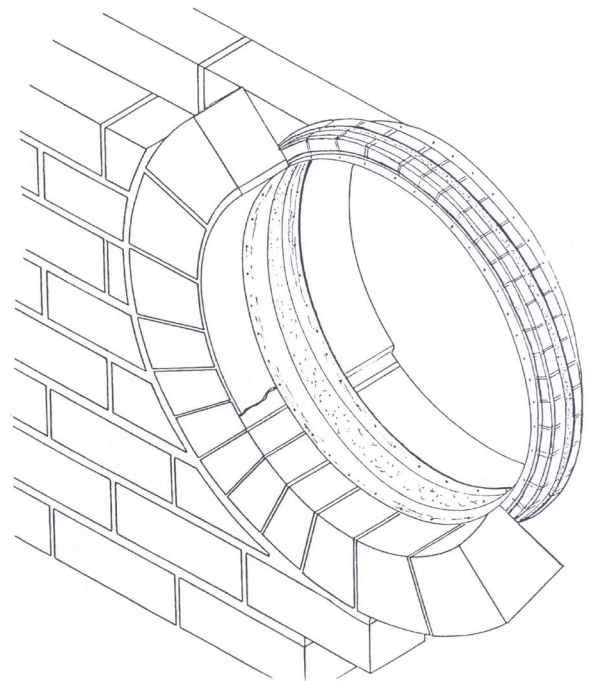
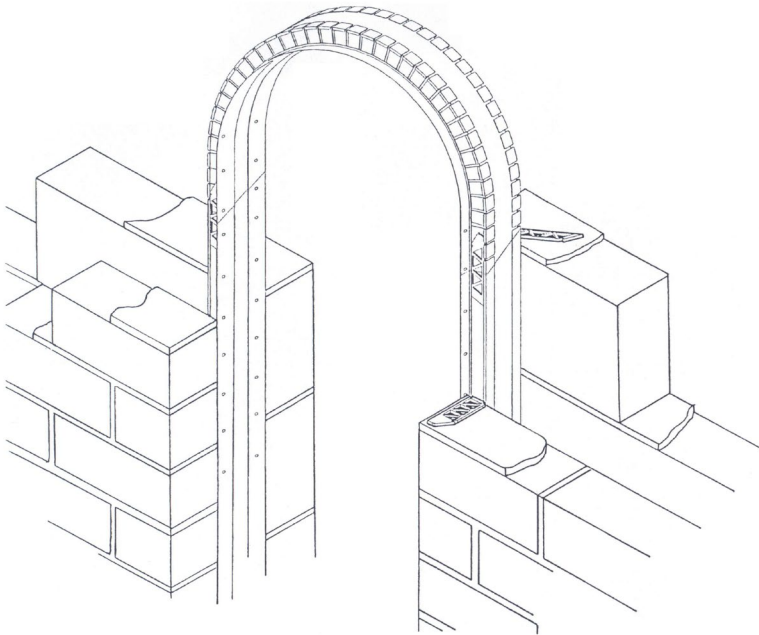
The company maintains a policy of continuous development of its product range and reserves the right to amend the specification without notice.

**MBP 8087**

**C**

### Flexible Cavity Closer

CODE **G243 / G244**



G243 PROFILE SHOWN

#### Description:

Manthorpe flexible cavity closer is available in two alternative profiles. The G243 Cavity Closer suits standard cavities (figure 1) while the G244 is suitable for rebated details (figure 2). Both are suitable for closing the cavity at circular or arched openings with a minimum diameter of 500mm.

It meets all current building regulations and achieves the required U value at the reveal of door and window openings when the frames are fixed to allow a 15mm overlap into the cavity.

This overlap can be reduced depending on the surrounding construction. For further details on how to calculate this required overlap see BRE Information Paper IP 17.

It is recommended that a suitable cavity tray should be fitted above the window to shed water away from the closer, frame and inner leaf. For detailed fitting instructions see product information sheet MBP 8089.

#### References:

BRE:	DIGEST 262
BRE:	Information Paper IP 17
BSI:	BS5250
DOE:	Building Regs L1
EC:	3093-940 Standard (Styrofoam)
NHBC:	Good Practice Guide
NHBC:	Standards

MANTHORPE BUILDING PRODUCTS LTD  
MANTHORPE HOUSE  
BRITAIN DRIVE  
CODNOR GATE BUSINESS PARK  
RIPLEY  
DERBYSHIRE  
DE5 3ND

TEL: 01773 303 000  
FAX: 01773 303 300  
EMAIL:  
[mbp.care@manthorpebp.co.uk](mailto:mbp.care@manthorpebp.co.uk)  
WEB:  
[www.manthorpebp.co.uk](http://www.manthorpebp.co.uk)

DRN M.L.W.O Date 23.07.19

The company maintains a policy of continuous development of its product range and reserves the right to amend the specification without notice.

DRG No

**MBP 8087**

Issue

**B**