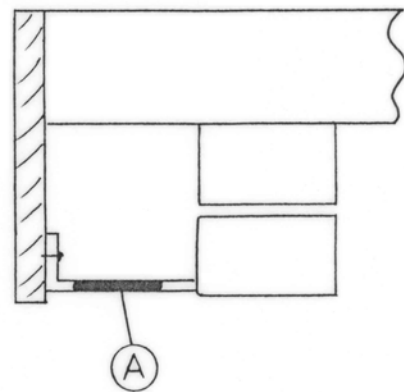
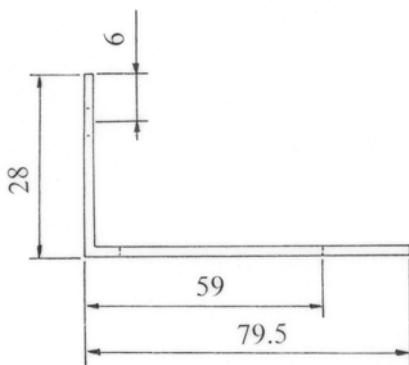
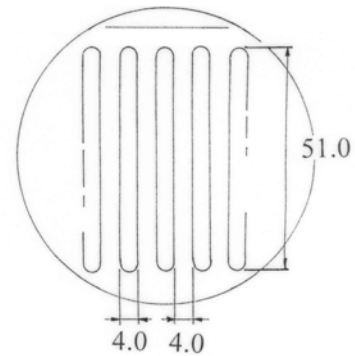
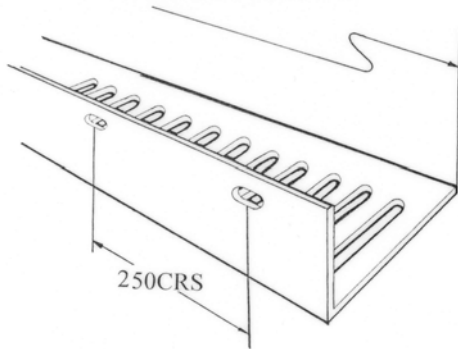


Flat Roof Soffit Ventilator

CODE **G826**

TOTAL LENGTH OF PRODUCT 3100mm



Description:

The G826 Flat Roof Soffit Ventilator is designed for flat roof applications where an upright fixing is required and 25mm airflow is needed.

The airflow passage consists of evenly spaced slots specifically sized to prohibit large insects gaining access but wide enough not to be blocked by debris, paint or water droplets (See BS5250 section 6).

Fitting Instructions:

The G826 flat roof soffit ventilator (A) should be securely screwed to the soffit board through the fixing holes provided and butted up to the outer brick wall as shown.

This is only one application and this product can be fitted in a wide variety of ways depending on soffit detail.

Use in conjunction with other products from the Manthorpe range to provide a complete roof ventilation system.

COLOURS	Brown
PACKING DETAILS	Packed in 10's in poly sleeve.
WEIGHT	6.4kg per pack
MATERIAL	UPVC
MANUFACTURING PROCESS	Extrusion
FREE AIRFLOW	25,000mm ² /M equivalent to a continuous gap of 25mm

References:

BRE: DIGEST 262/270
 BSI: BS5250
 DOE: Building Regs F2
 NHBC: Good Practice Guide
 NHBC: Standards 7.2

MANTHORPE BUILDING PRODUCTS LTD
 MANTHORPE HOUSE
 BRITAIN DRIVE
 CODNOR GATE BUSINESS PARK
 RIPLEY
 DERBYSHIRE DE5 3ND

TEL: 01773 303 000
 FAX: 01773 303 300
 EMAIL: mbp.care@manthorpebp.co.uk
 WEB: www.manthorpebp.co.uk

DRN M.A Date 20.06.19

DRG No

Issue

The company maintains a policy of continuous development of its product range and reserves the right to amend the specification without notice.

MBP 8004

B