

System Parts

6M Kit

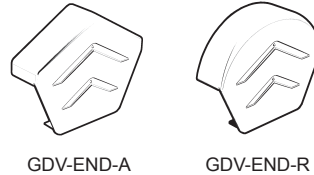
Kit Length	Vent Roll (GD RR-RR)	Batten Support Brackets (GD RR-BS)	Polypropylene Ridge Unions (GD RR-CU)
6M	1 x 6M Roll	10	13

NOTE When fitting the systems on some high profile tile formats, the overall roll lengths may be reduced.

Vent Roll Colours:

BL - Black
BR - Dark Brown

The Manthorpe Roll-Out Clay Ridge can be used in conjunction with the ridge end caps from the Manthorpe Dry Verge Systems.



Compatibility

The Manthorpe Roll-Out Clay Ridge is a mechanically fitted system which securely fixes the ridge tiles on to a roof and provides 5,000mm²/m ventilation through the vent roll. The system is compatible with most makes of roof tile except Redland Delta and some deep profile Pantiles.

The following tables provide a guide for where the Batten Support Brackets should be bent. The numbers 1 - 4 refer to numbers on the Batten Support Bracket where the height of the batten can be adjusted.

Table 1. Angle Ridge Tile with Flat Tiles

Pitch \ Tile Height	15°	17½°	20°	22½°	25°	27½°	30°	32½°	35°	37½°	40°	42½°	45°
< 11 mm	-	-	2	2	1	1	1	1	1	1	1	-	-
11-20 mm	3	3	3	3	2	2	2	1	1	1	1	1	1
21-30 mm	-	4	4	3	3	3	3	3	3	2	1	1	1

Table 2. Half Round Ridge Tile with Flat Tiles

Pitch \ Tile Height	15°	17½°	20°	22½°	25°	27½°	30°	32½°	35°	37½°	40°	42½°	45°
< 11 mm	-	-	2	1	1	1	1	1	1	1	1	-	-
11-20 mm	3	3	3	2	2	1	1	1	1	1	1	1	1
21-30 mm	-	3	3	3	3	3	2	2	2	1	1	1	1

Table 3. Half Round Ridge Tile with Profiled Tiles

Pitch \ Tile Height	15°	17½°	20°	22½°	25°	27½°	30°	32½°	35°	37½°	40°	42½°	45°
21-30 mm	-	3	3	2	2	2	2	1	1	1	1	1	1
31-40 mm	-	3	3	3	3	2	2	2	2	1	1	1	1
41-50 mm	4	4	4	3	3	3	3	2	2	2	2	1	1
51-60 mm	-	4	4	4	4	3	3	3	3	2	2	2	2

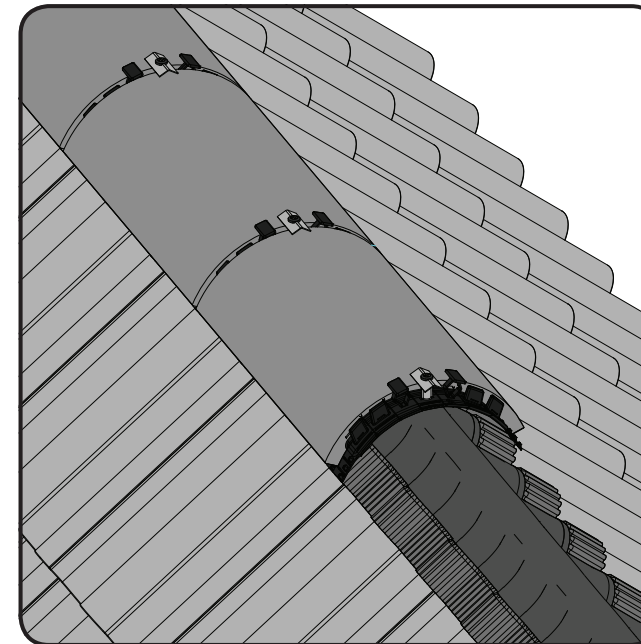
Note 1: The 'Tile Height' refers to the maximum height of the profile of the tile.

Manthorpe

Roll-Out Clay Ridge System

Fitting Instructions

MBP1124-C



BS 8612 Specifications

Profile class:

- ✓ **Low** (≥1.15 Expansion)
- ✓ **High** (≥1.3 Expansion)

Provides a measured geometric free area of

5,000mm²/M

As per the requirements of BS 5250

Products tested to the requirements of BS 8612, performance data is available upon request.

Manthorpe Building Products Limited

Manthorpe House, Brittain Drive, Codnor Gate Business Park, Ripley, Derbyshire DE5 3ND
T: (01773) 303 000 F: (01773) 303 300 E: mbp.care@manthorpebp.co.uk
W: www.manthorpebp.co.uk



Ridge Details

Fig A. Assembly View of Dry Ridge Detail

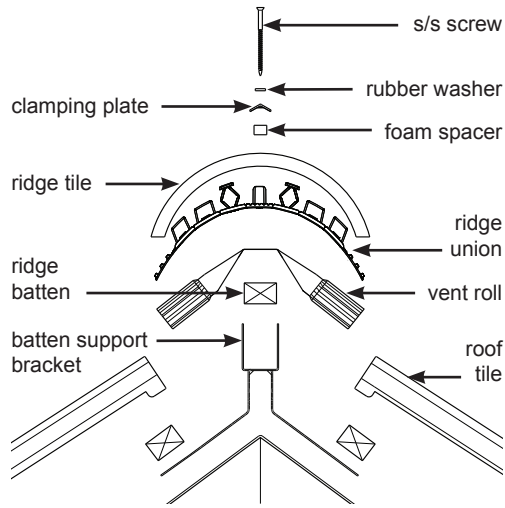
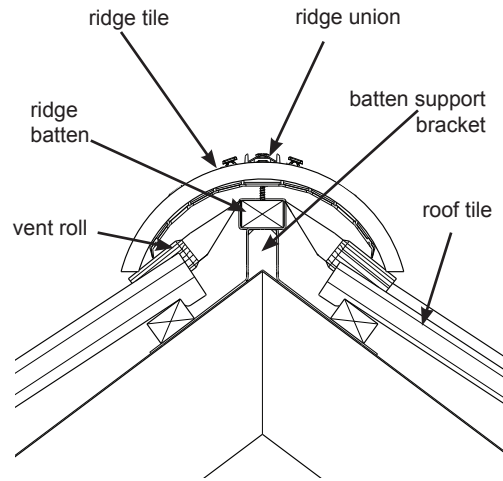
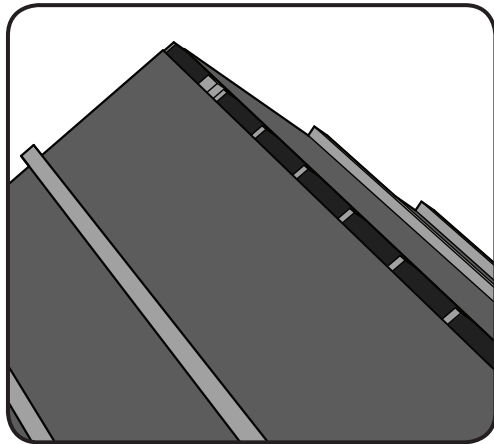


Fig B. Finished Dry Ridge Detail

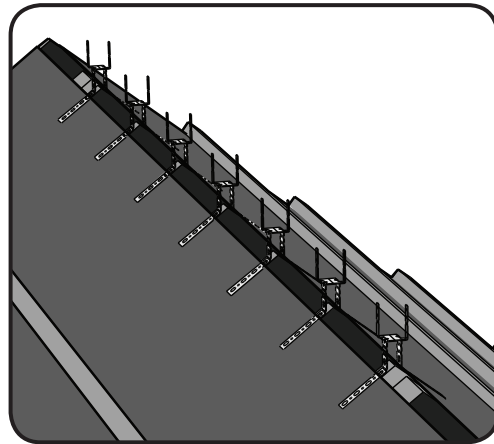


Installation



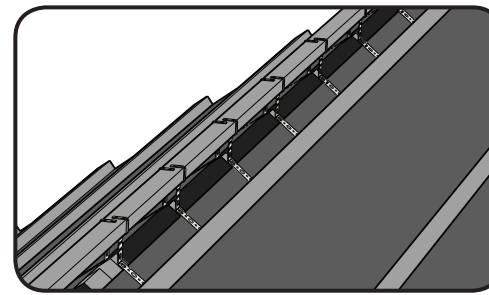
1. Lay the roofing underlay and dress it over the apex of the roof in the standard practice. Fix the battens to the roof as normal up to, but excluding, the top course of tiling battens.

If ventilation is required, then the underlay should be left short of the apex to leave a small gap of between **5mm - 8mm**.



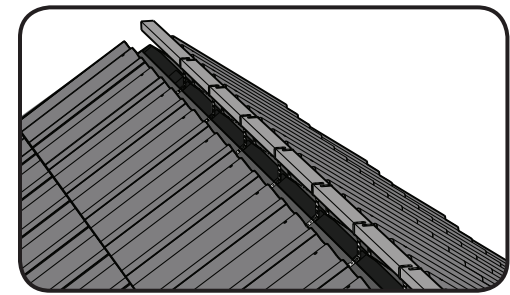
2. Adjust the height of the brackets by bending the bracket at the appropriate height (1-4) as indicated in tables 1-3 overleaf.

Using **30mm** stainless steel annular ring shanked nails, fix a Batten Support Bracket to the apex of every rafter. Nail each bracket to the rafters through two holes on each side.



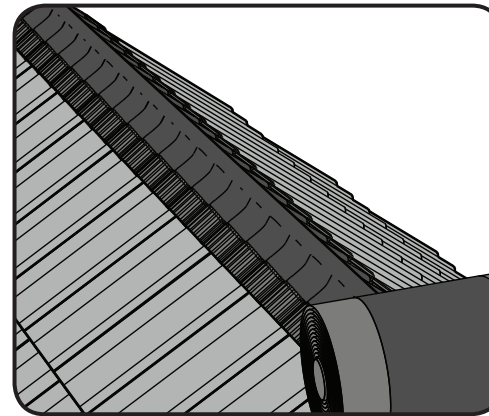
3. Lay a timber batten between the brackets, then bend the two up-stands over the batten and nail in place using 25mm Stainless Steel annular ringshank nails.

If using a dry verge system, ensure the batten overhangs the verge by **30mm** at each end.



4. Fix the top course tiling battens and tile the roof on both sides as normal. If using a Manthorpe Dry Verge or Linear Dry Verge Systems, fix these at this stage.

Ensure the top course tiles are dry and free from dust before continuing.



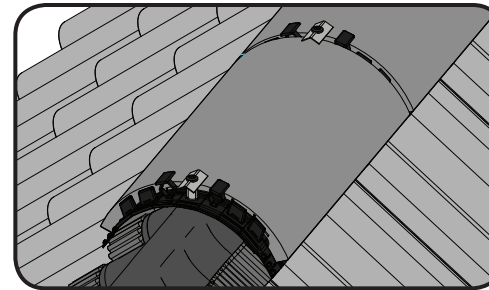
5. Roll out the Vent Roll along the entirety of the ridge, tacking the roll at 1m intervals to the ridge batten using staples or felt nails.

Where joining rolls together, ensure a minimum overlap of 100mm.

6. Remove the protective tape from the adhesive strip on the underside of the roll.

Push the entire length of the adhesive strip on to the tiles so that the corrugated strip moulds into the profile of the tiles.

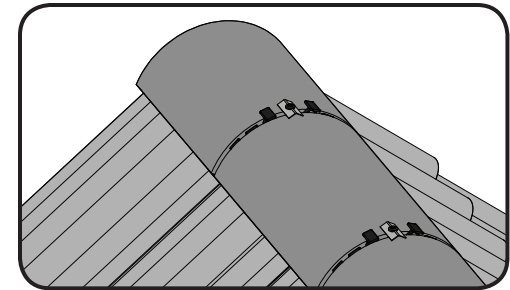
Ensure that the Vent Roll is fully sealed along the entire ridge on both sides. A roller can aid in this process.



7. Lay the ridge tiles along the ridge, placing a Ridge Union between each adjacent tile.

Ridge unions can be flexed to accommodate most common styles of round and angled ridge tiles.

Secure the tiles to the ridge batten by screwing the Clamping Plate over the adjacent tiles and into the ridge batten.



8. Repeat this process along the ridge until all ridge tiles have been laid.

Ensure that both end ridge tiles are fixed at both ends. If none are present, create a hole to locate a screw fixing.

If mortar is not being used, a block-end ridge or Manthorpe Ridge End Cap should be used.