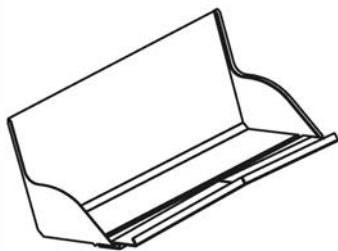


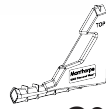
TITLE

HORIZONTAL FITTING DETAIL

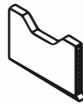
CODE



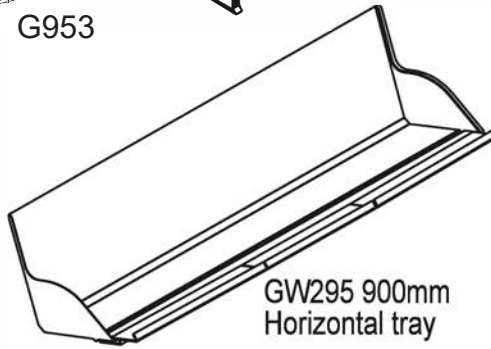
GW294 450mm horizontal tray



G953

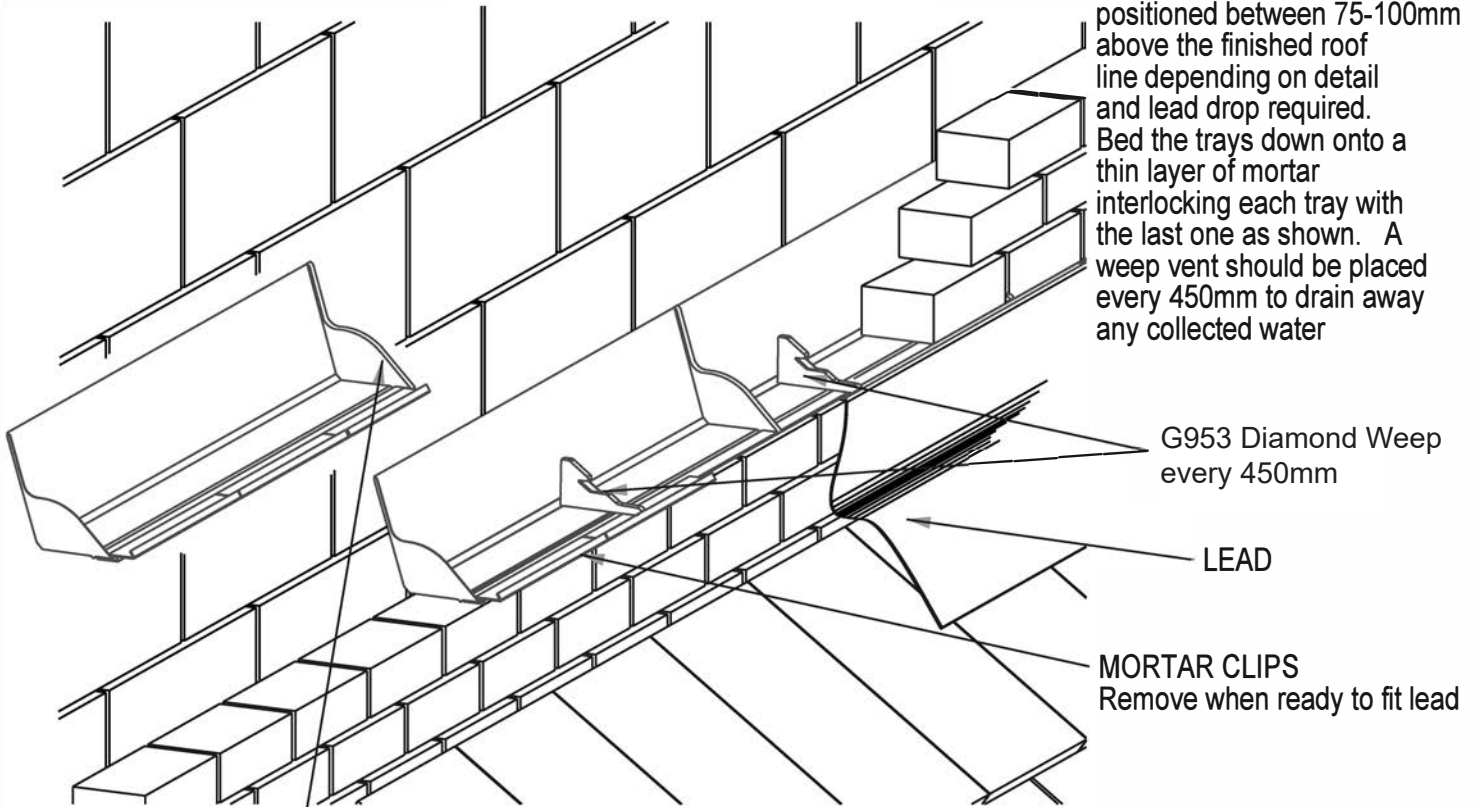


G950



GW295 900mm Horizontal tray

The GW295 900mm and GW294 450mm horizontal collect any water from above and discharge it through a G950 or G951 Weep Vent. It is used to protect the area below a horizontal roof abutment.



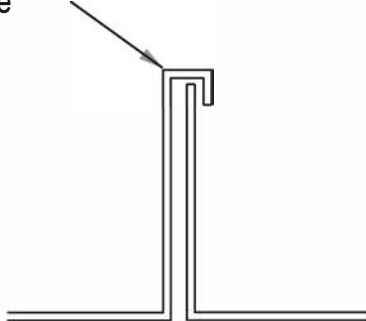
The trays should be positioned between 75-100mm above the finished roof line depending on detail and lead drop required. Bed the trays down onto a thin layer of mortar interlocking each tray with the last one as shown. A weep vent should be placed every 450mm to drain away any collected water

G953 Diamond Weep every 450mm

LEAD

MORTAR CLIPS
Remove when ready to fit lead

Hook next tray over last one



LEADED TRAYS

After fitting the trays and mortar is dry the lead should be dressed as shown and pointed using lead sealant.

Lead is available attached to the tray in three different lengths in code 4 or 5

Short	75mm drop
Standard	150mm drop
Long	300mm drop

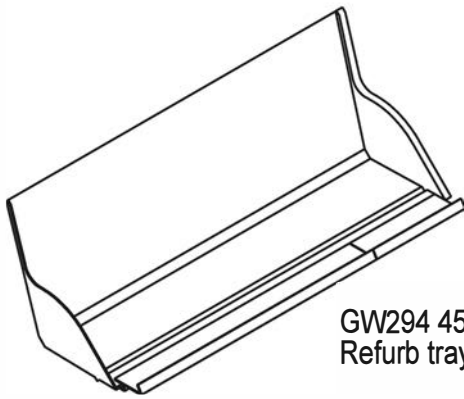
UNLEADED TRAYS

When mortar is dry and the wall is stable the mortar clips should be removed leaving a 25mm deep gap to fix lead flashing into using lead wedges as per normal practice. The lead should then be dressed down and pointed using a suitable flexible sealant.

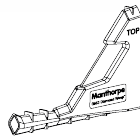
TITLE

REFURBISHMENT FITTING DETAIL

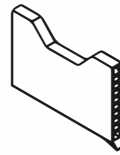
CODE



GW294 450mm Refurb tray

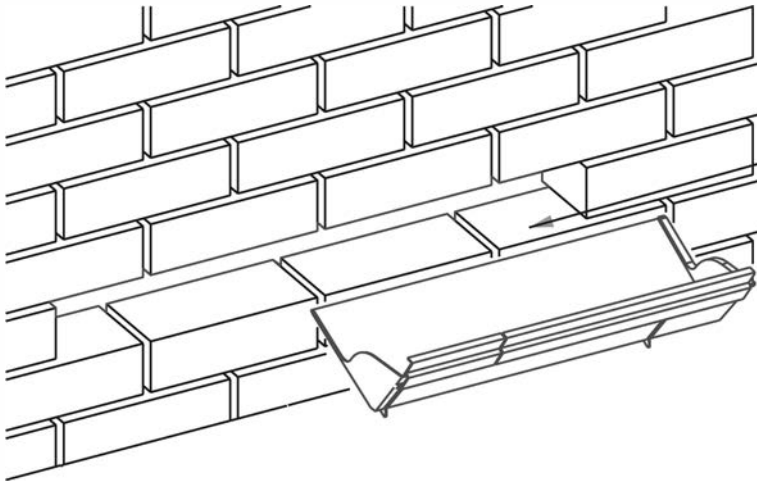


G953



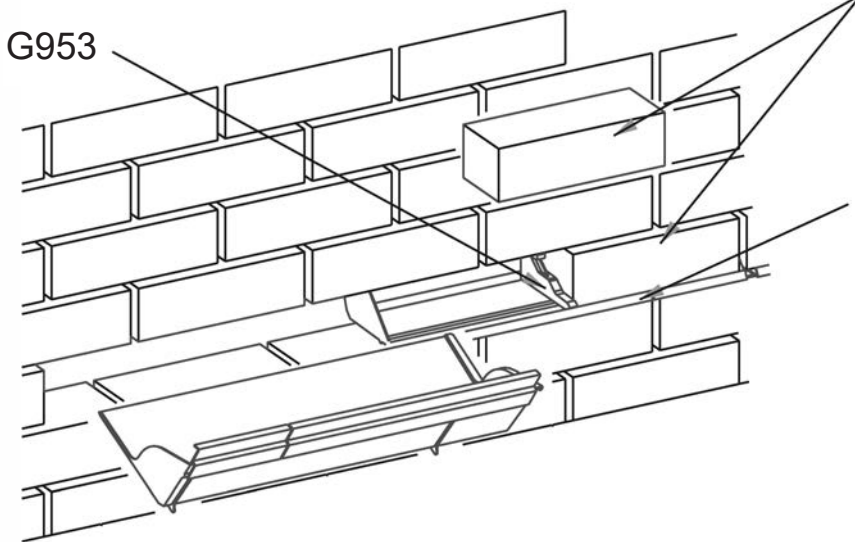
G950

The GW294 450mm Refurb tray is designed for fitting into existing walls with the minimum of disturbance to the surrounding construction.



Start by carefully removing three bricks from the existing wall 75-150mm above the finished roof line.

Slid a tray though hole and bed into position on to a thin layer of mortar.



G953

Now replace two of the removed bricks mortaring into position, remembering to fit a G950 or G953 weep vent in the centre of each tray. Continue this process for the required

MORTAR CLIPS
Remove when ready to fit lead

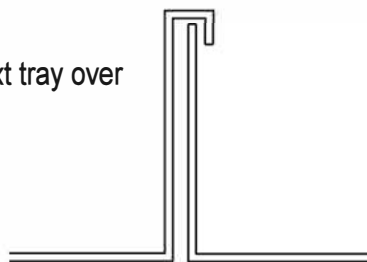
LEADED TRAYS
After fitting the trays and mortar is dry the lead should be dressed as shown and pointed using lead sealant. and wedges as per normal practice. The lead should then be dressed down and pointed using a suitable flexible sealant.

Lead is available attached to the tray in three different lengths

- Short 75mm drop
- Standard 150mm drop
- Long 300mm drop

UNLEADED TRAYS
When mortar is dry and the wall is stable the mortar clips should be removed leaving a 25mm deep gap to fix lead flashing into using lead wedges as per normal practice. The lead should then be dressed down and pointed using a suitable flexible sealant.

Hook next tray over last one



Note: Mortar is not shown for clarity

MANTHORPE BUILDING PRODUCTS LIMITED
MANTHORPE HOUSE,
BRITAIN DRIVE, CODNOR GATE
BUSINESS PARK,
RIPLEY, DERBYSHIRE DE5 3ND.

TELE: 01773 303 000
FAX: 01773 303 300
Email: mbp.care@manthorpebp.co.uk
WEB: www.manthorpebp.co.uk

Dm

MC

Date

24/06/19

DRG No

8125

ISSUE

C

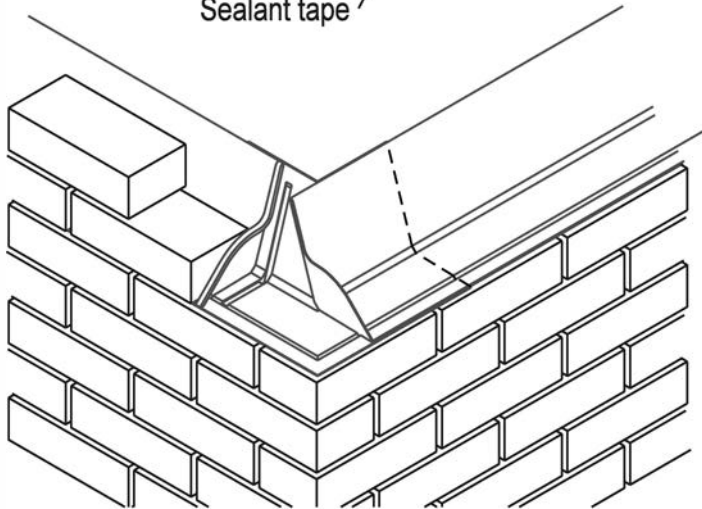
The Company maintains a policy of continuous development of its product range and reserve the right to amend the specification without notice.

TITLE EXTERNAL CORNER FITTING DETAIL

CODE



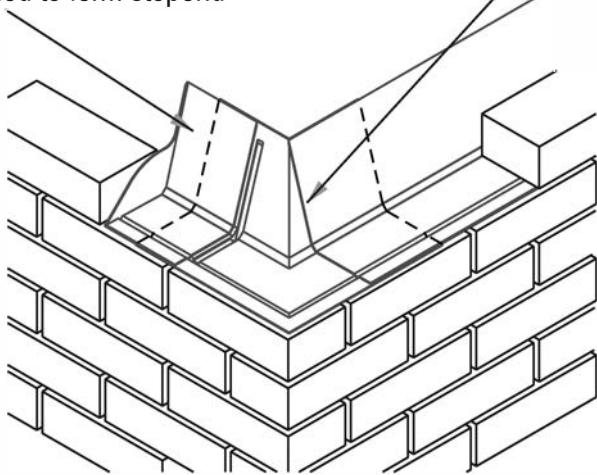
The GW297 External corner tray is used when a horizontal (or refurb) run of trays has to turn through a 90 degree corner



All three trays should be dry and clean. Remove backing from sealant tape place corner tray in position, line up horizontal trays and press firmly into position ensuring a water tight overlapped seal is made between the trays. Lift up the assembled trays and bed down on a thin layer of mortar.

Horizontal tray trimmed to form stopend

Horizontal tray trimmed to fit

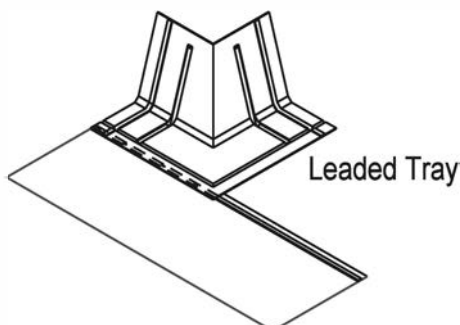


Depending on the detail it may be necessary to cut down the horizontal tray in length to fit at corner details. This should be done using a sharp knife or scissors before sealing to the corner tray.

Note: Mortar is not shown for clarity

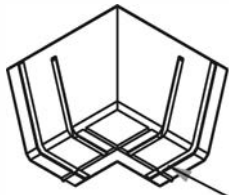
LEADED TRAYS

After fitting the trays and mortar is dry the sealant backing should be removed of the lead. The lead should then be folded into position and tucked in 25mm under the corner tray and dressed as shown. The side which is not stapled should be secured using lead wedges. Point using lead sealant.



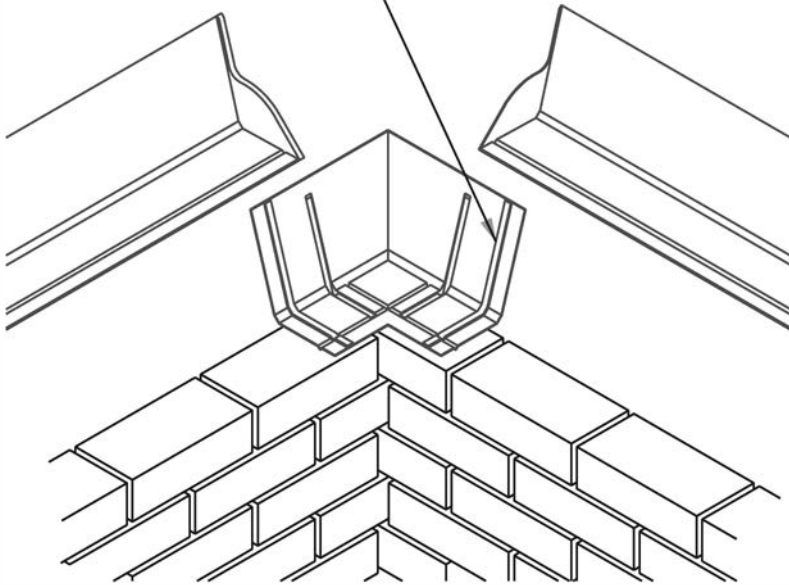
TITLE INTERNAL CORNER FITTING DETAIL

CODE

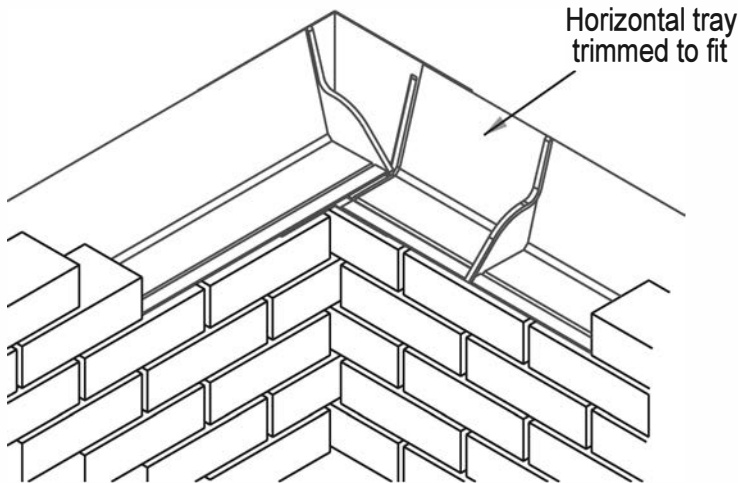


Sealant tape

The GW296 Internal corner tray is used when a horizontal (or refurb) run of trays has to turn through a 90 degree corner



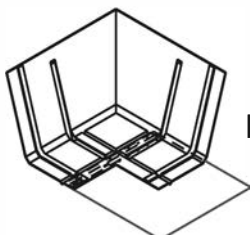
All three trays should be dry and clean. Remove backing from sealant tape place corner tray in position, line up horizontal trays and press firmly into position ensuring a water tight overlapped seal is made between the trays. Lift up the assembled trays and bed down on a thin layer of mortar.



Horizontal tray trimmed to fit

Depending on the detail it may be necessary to cut down the horizontal tray in length to fit at corner details. This should be done using a sharp knife or scissors before sealing to the corner tray.

Note: Mortar is not shown for clarity



Leaded Tray

LEADED TRAYS

After fitting the trays and mortar is dry the sealant backing should be removed of the lead. The lead should then be folded into position and tucked in 25mm under the corner tray and dressed as shown. The side which is not stapled should be secured using lead wedges. Pointed using lead sealant.

TITLE GENERAL FITTING DETAIL UNLEADED TRAYS

CODE

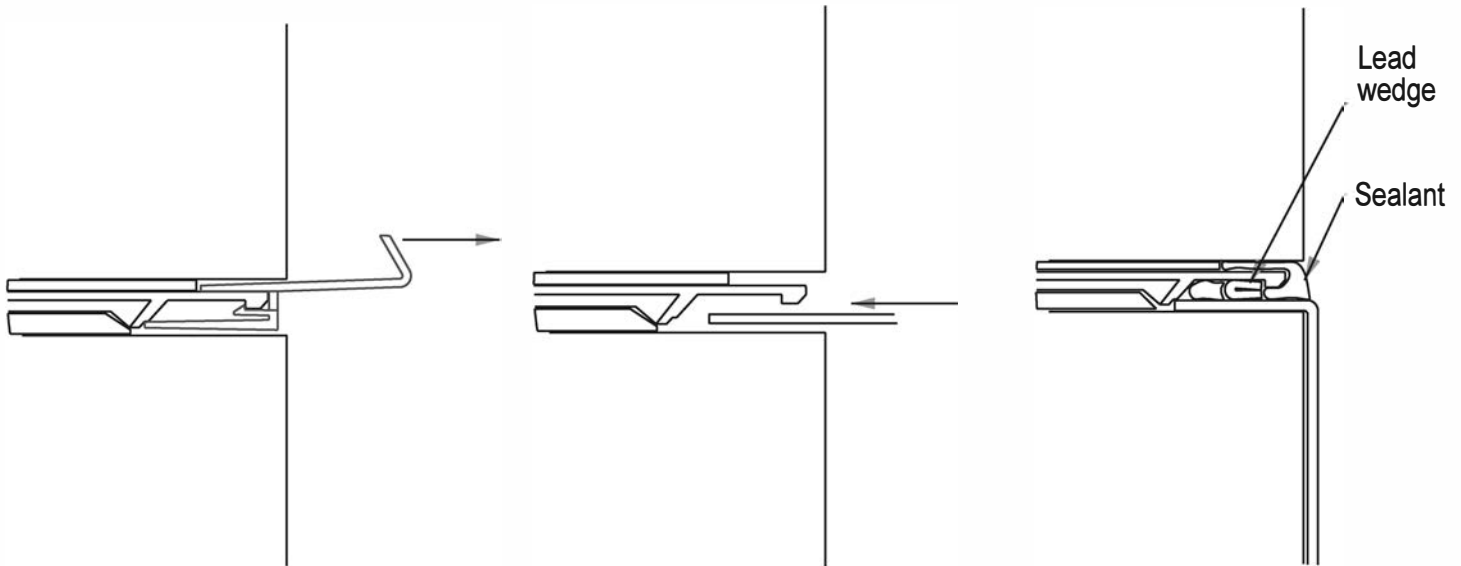
50 - 100MM

102.5MM

MORTAR STRIP

BED TRAY TOP AND BOTTOM WITH MORTAR

FITTING LEAD



① Wait until mortar is dry and wall is stable then pull out mortar strip to leave a 25mm slot

② Push lead into the gap ensuring it fits under the Cavity Tray. Secure lead flashing using lead wedges as per normal practice.

③ Dress lead down into position and point with a suitable flexible lead sealant.

For further information on the fitting and dressing of lead refer to the 'Lead Sheet Manual' available from the Lead Sheet Association.

MANTHORPE BUILDING PRODUCTS LIMITED
MANTHORPE HOUSE, BRITAIN DRIVE,
CODNOR GATE BUSINESS PARK,
RIPLEY, DERBYSHIRE DE5 3ND.

TELE: 01773 303 000
FAX: 01773 303 300

Email:
mbp.care@manthorpebp.co.uk
Web:
www.manthorpebp.co.uk

Drm

MC

Date

21/06/19

DRG No

8046

ISSUE

C

The Company maintains a policy of continuous development of its product range and reserve the right to amend the specification without notice.